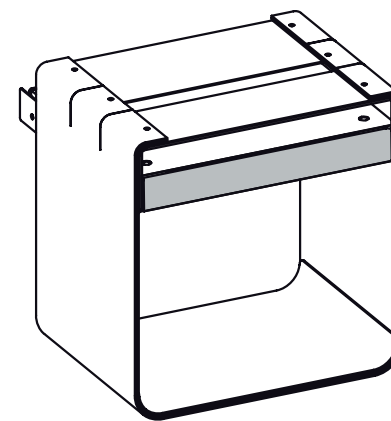
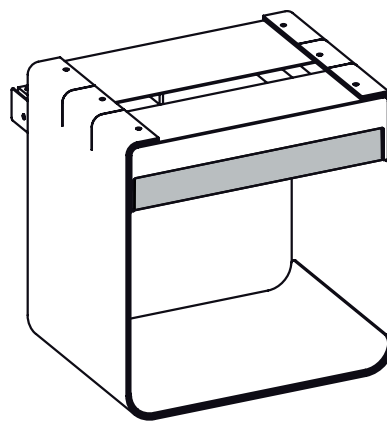
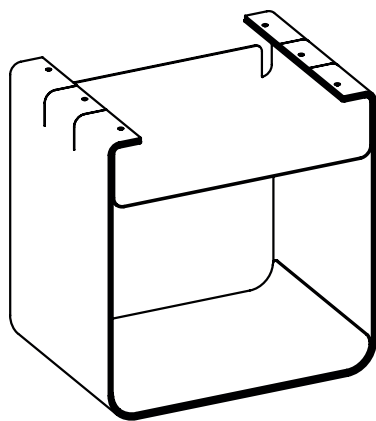


BackPack



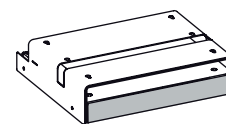
INSTRUCCIONES DE MONTAJE
NOTICE DE MONTAGE
ASSEMBLY INSTRUCTIONS



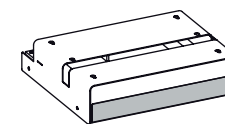
INDEX

TCARE

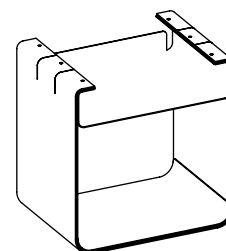
TCB-BPACK4	3-6
TCB-BPACK5	3-6
TCF-BPACK1	7-9
TCF-BPACK2	10-14
TCF-BPACK3	10-14



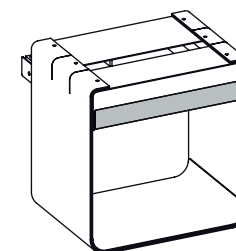
TCB-BPACK4



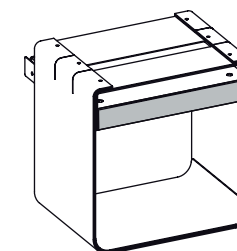
TCB-BPACK5



TCF-BPACK1



TCF-BPACK2



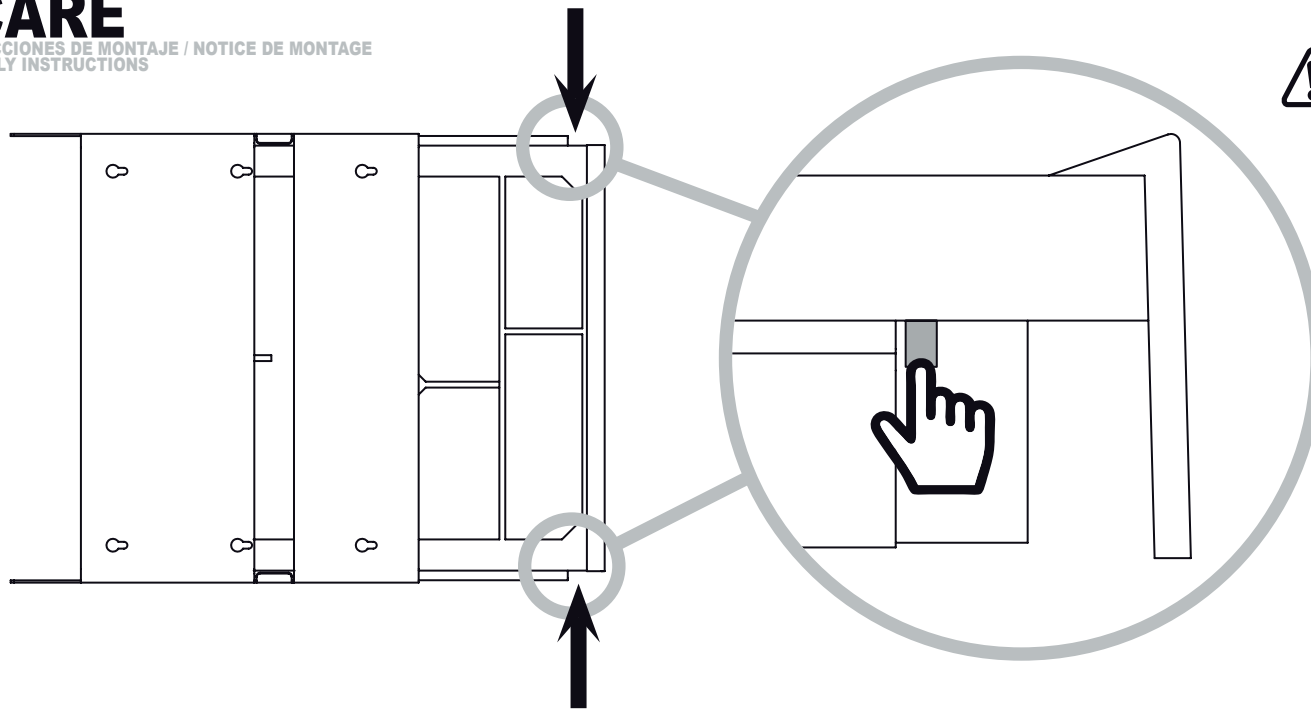
TCF-BPACK3

TWORK | ADAPTA PLUS

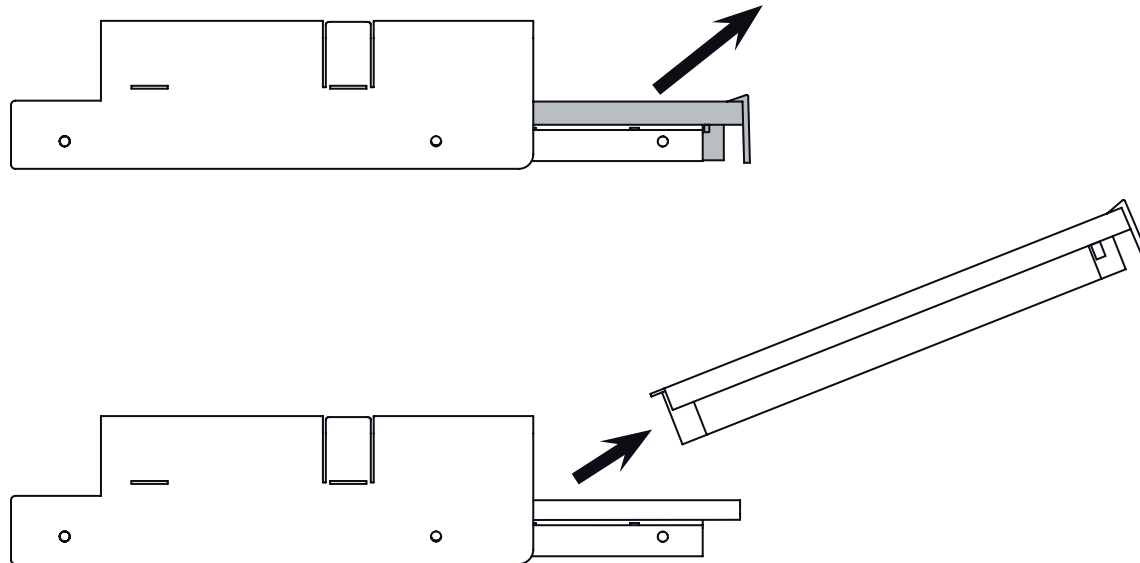
TCB-BPACK4	15-18
TCB-BPACK5	19-21
TCF-BPACK1	22-25
TCF-BPACK2	26-30
TCF-BPACK3	26-30

<i>Posición - Position</i>	ADAPTA	31
	SINTRA 1	32
	SINTRA 3	33
	INSPIRA	34
	MODUL	35
TCB-BPACK4	36-39	
TCB-BPACK5	36-39	
TCF-BPACK1	40-42	
TCF-BPACK2	43-47	
TCF-BPACK3	43-47	

1

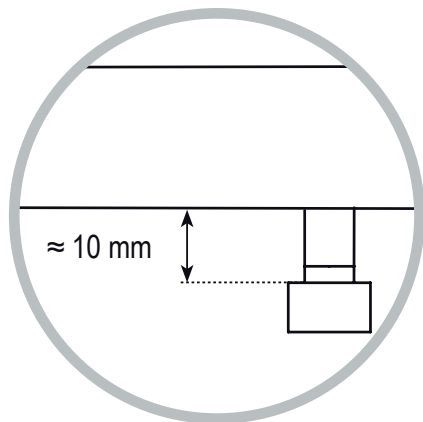
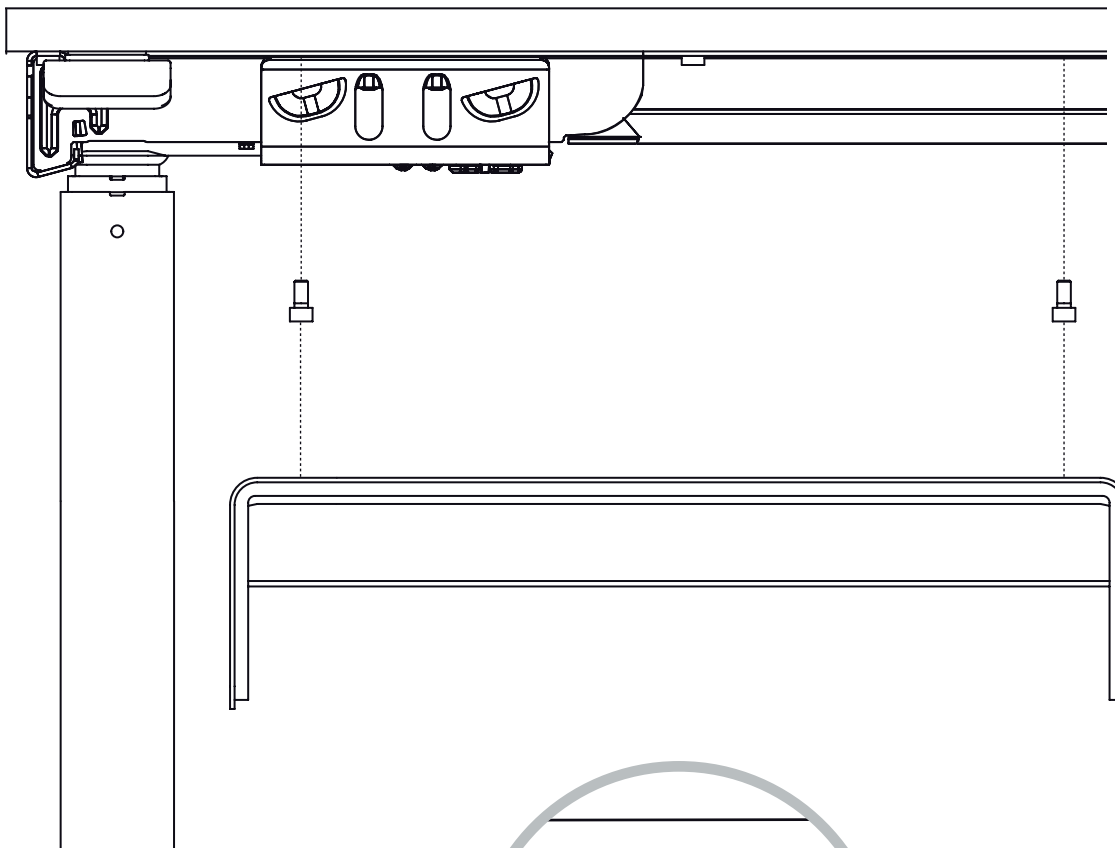


2

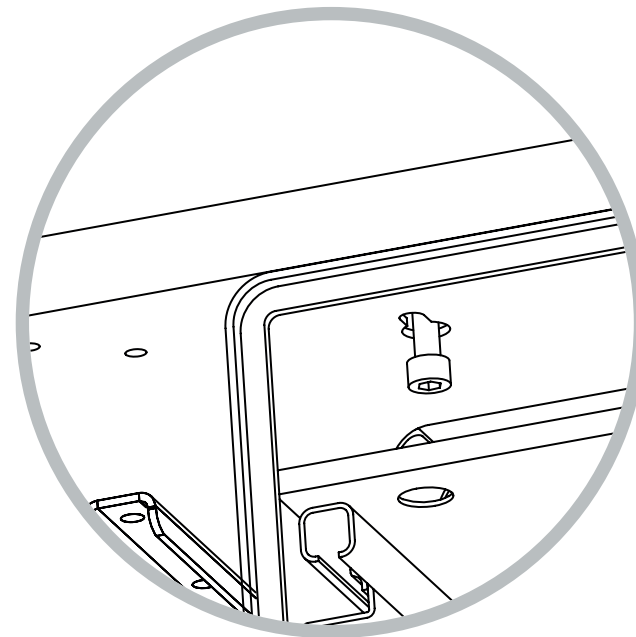


3

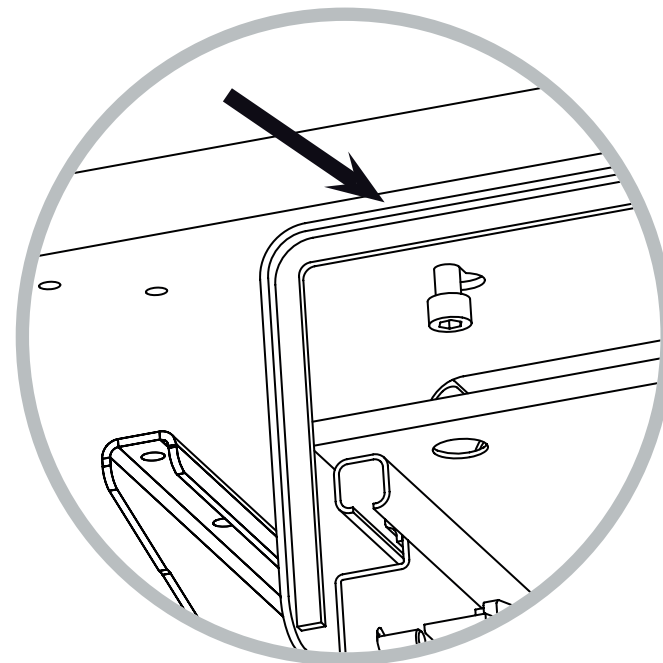
6x



4

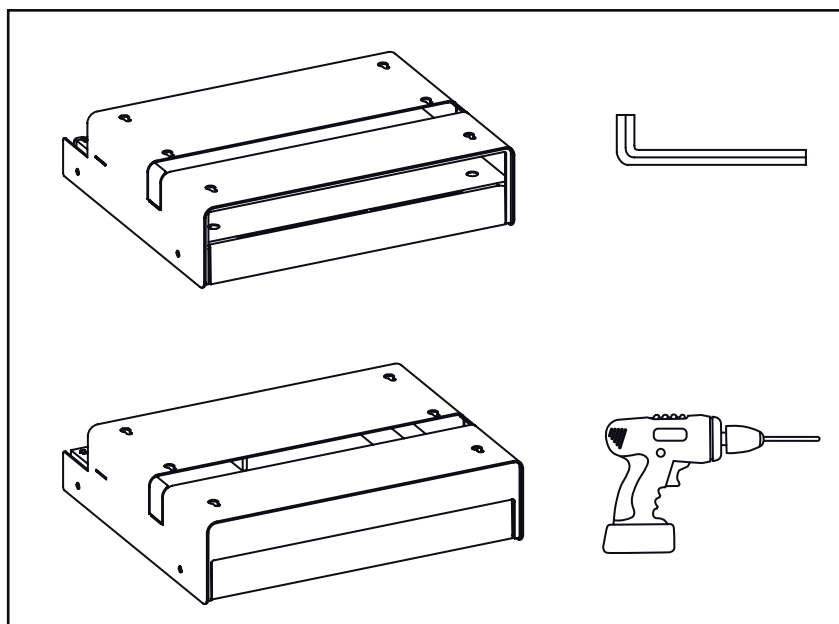
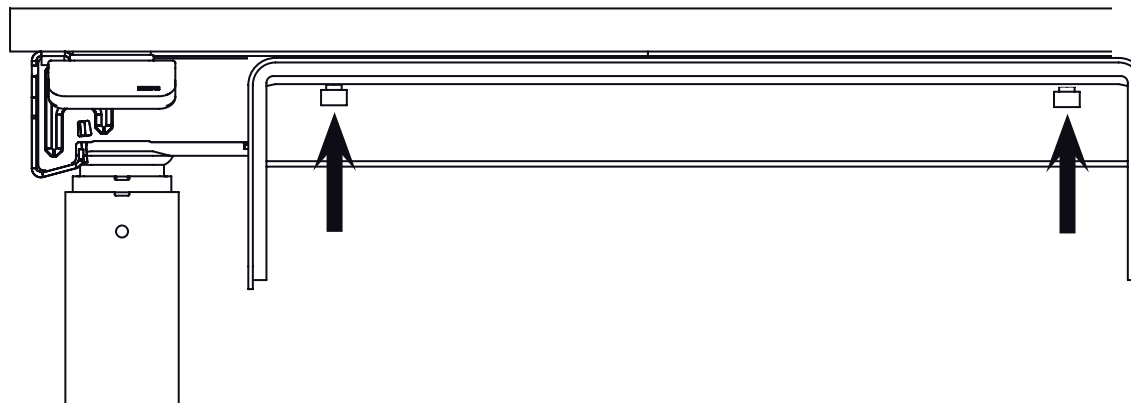


5

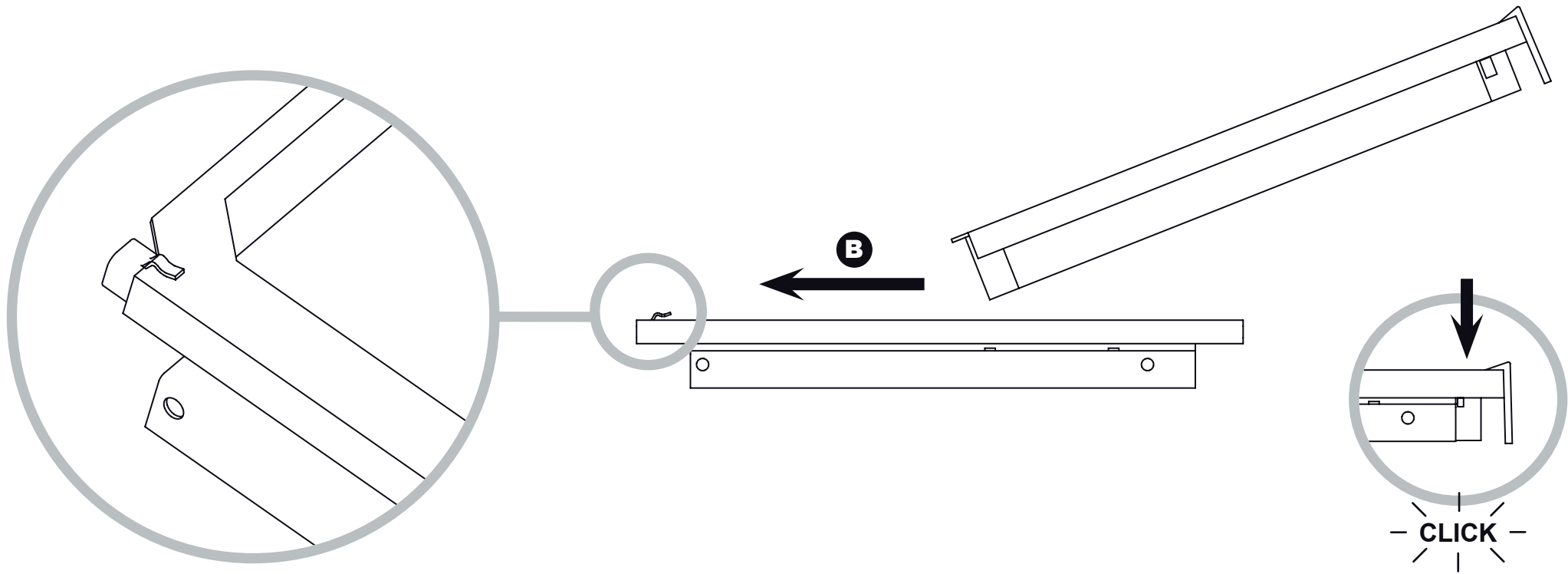
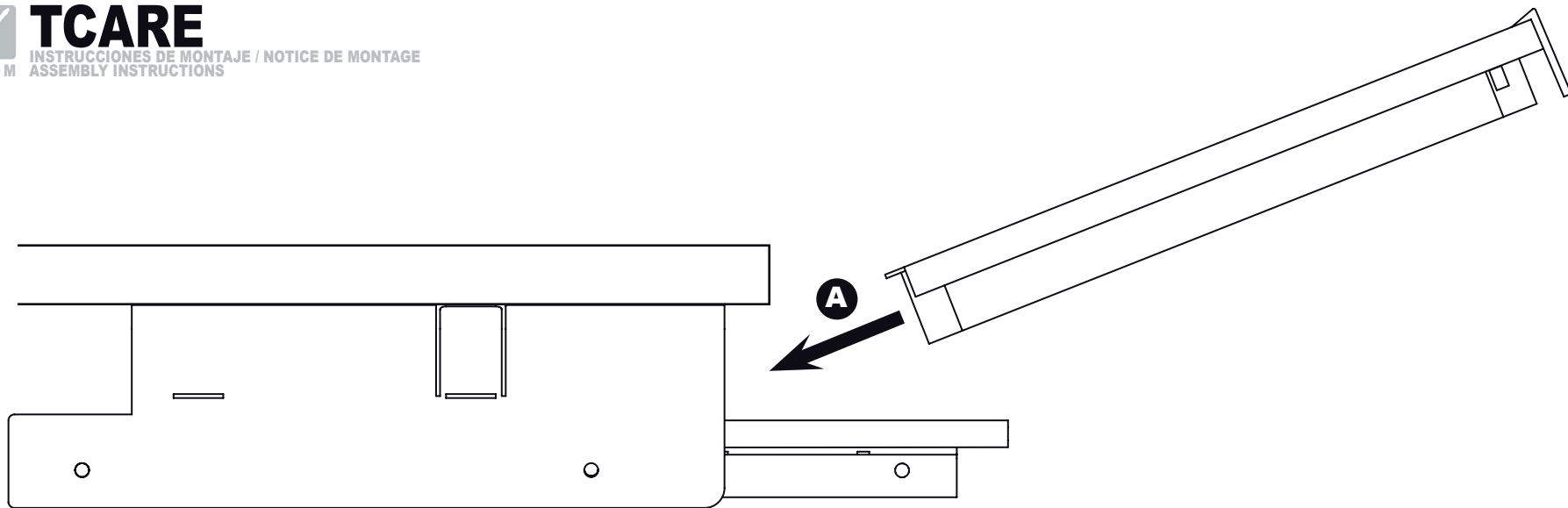


6

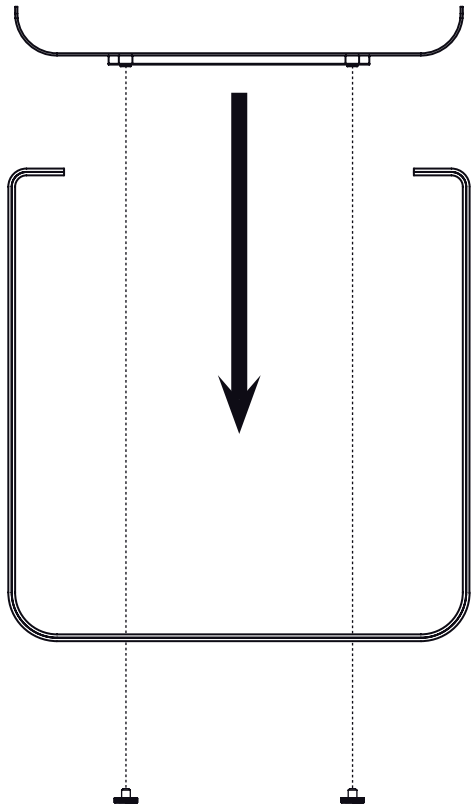
Apretar tornillos
Serrer les vis
Tighten screws



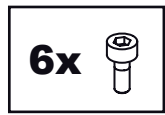
7



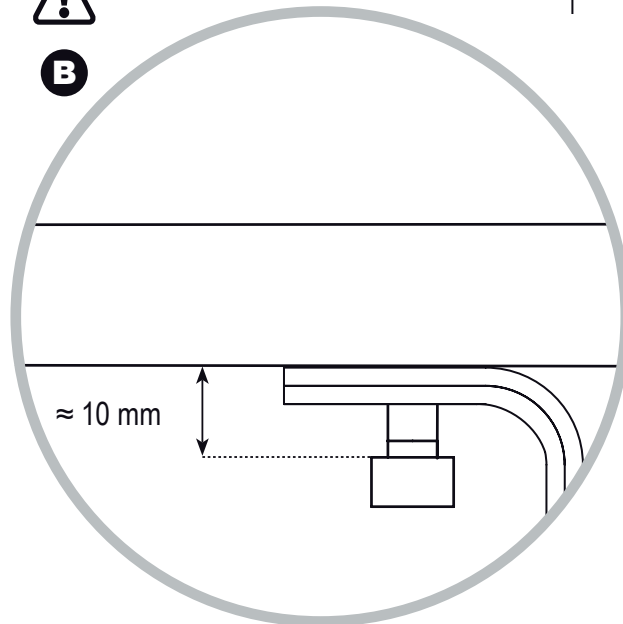
1



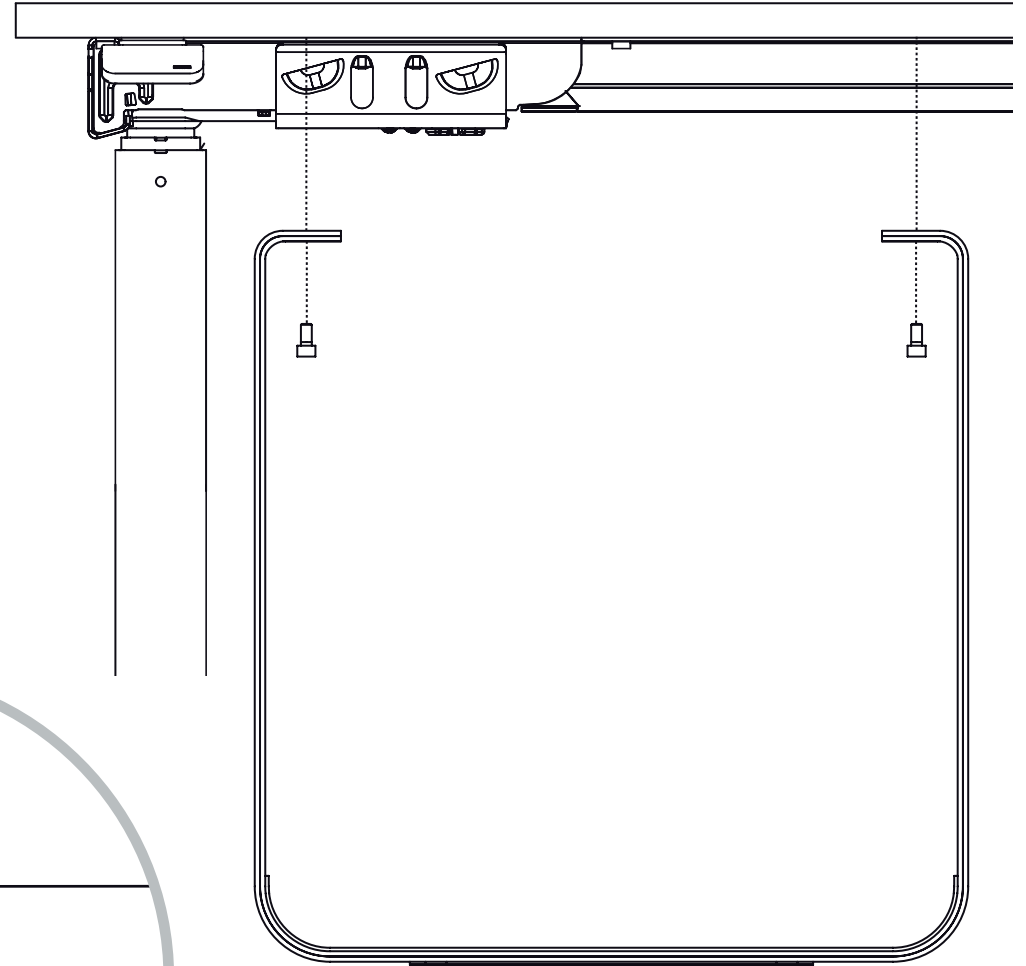
2



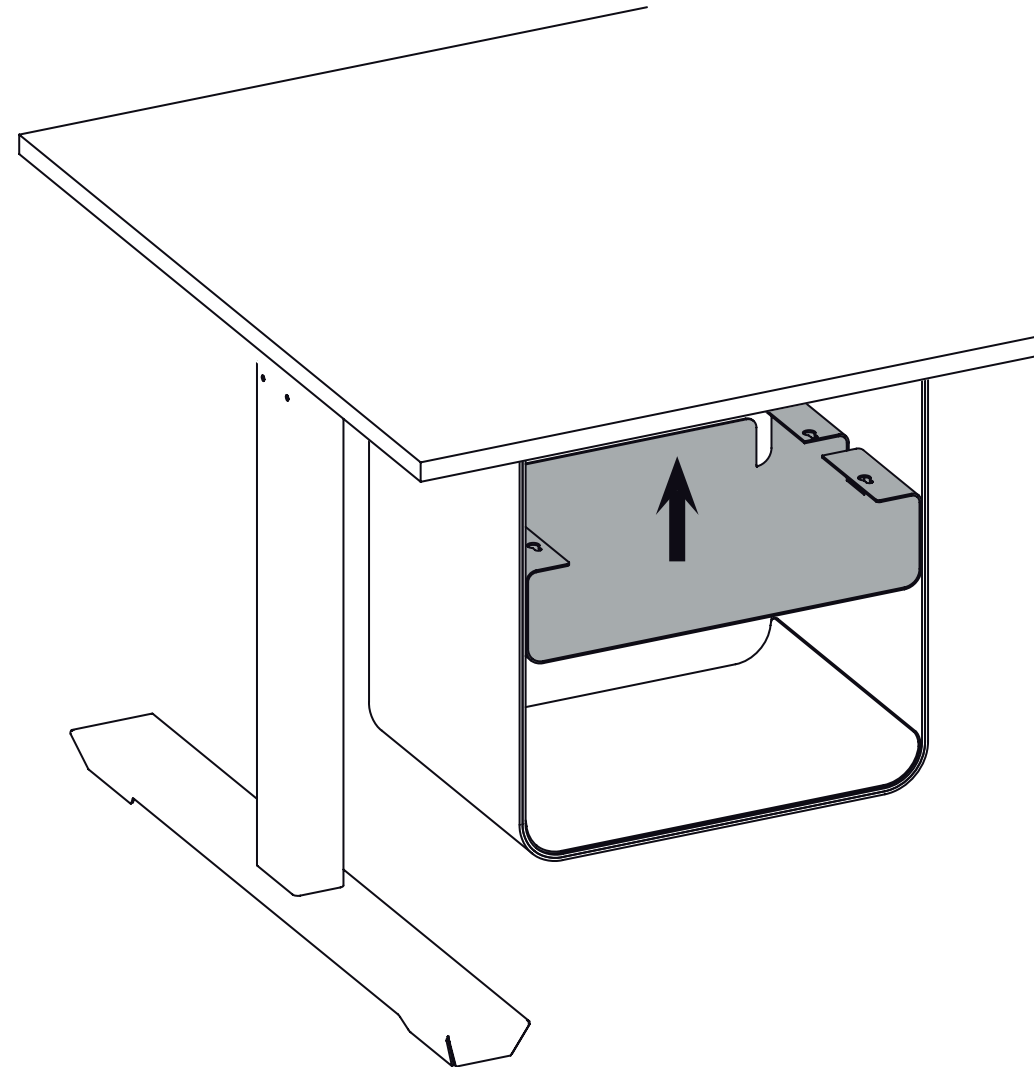
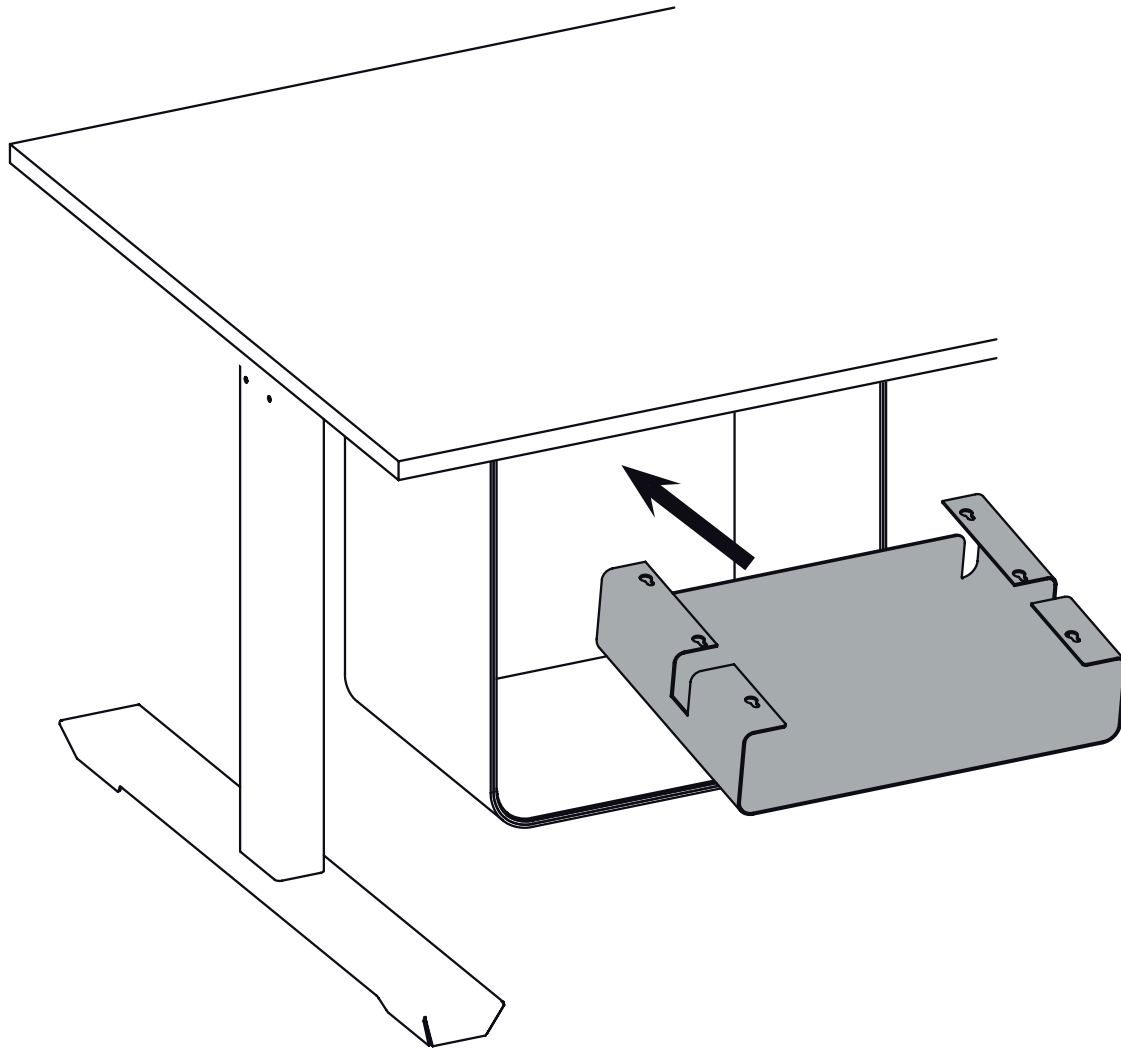
B



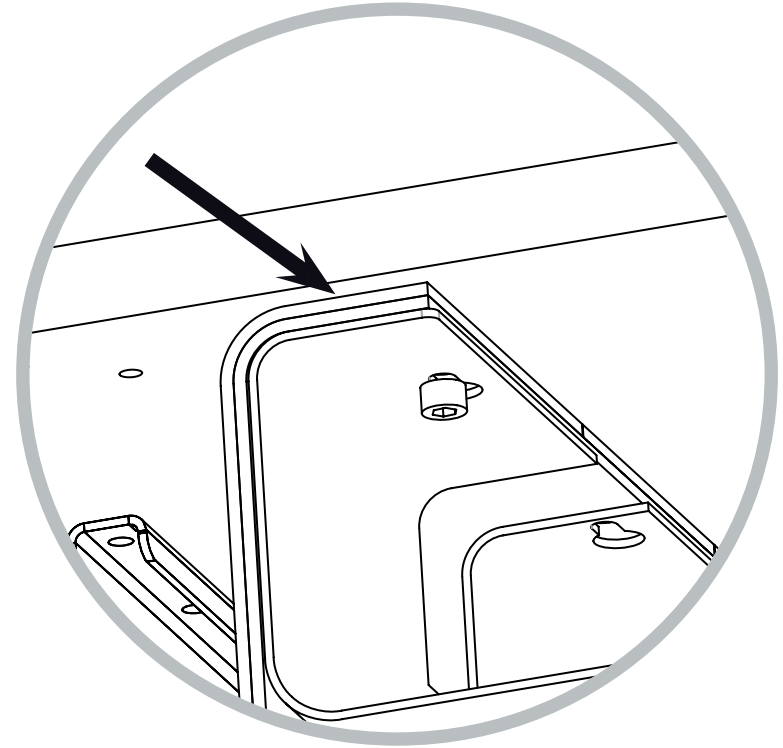
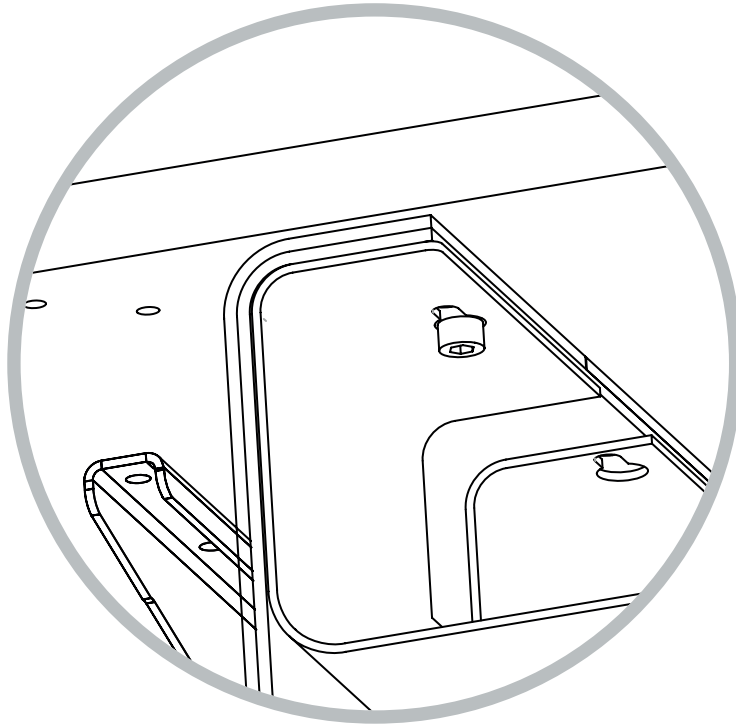
A



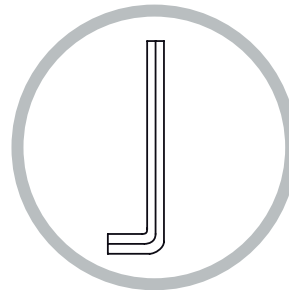
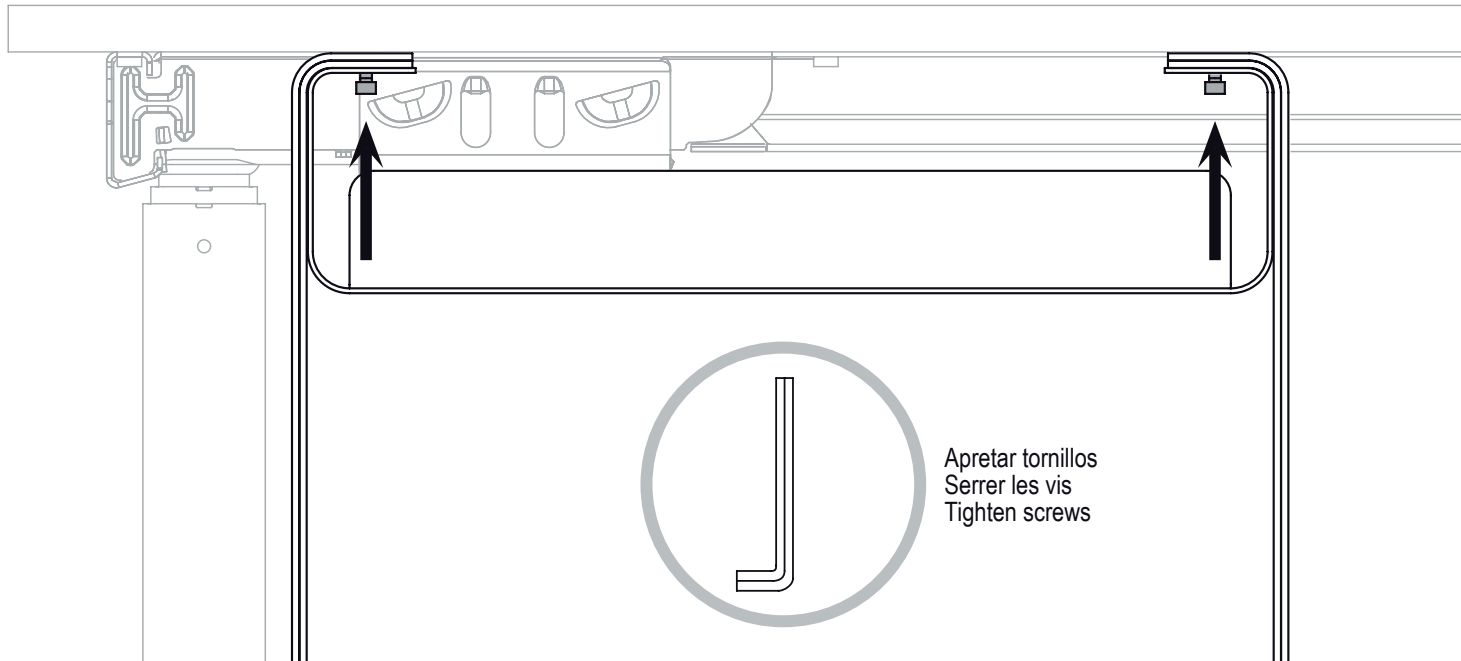
3



4

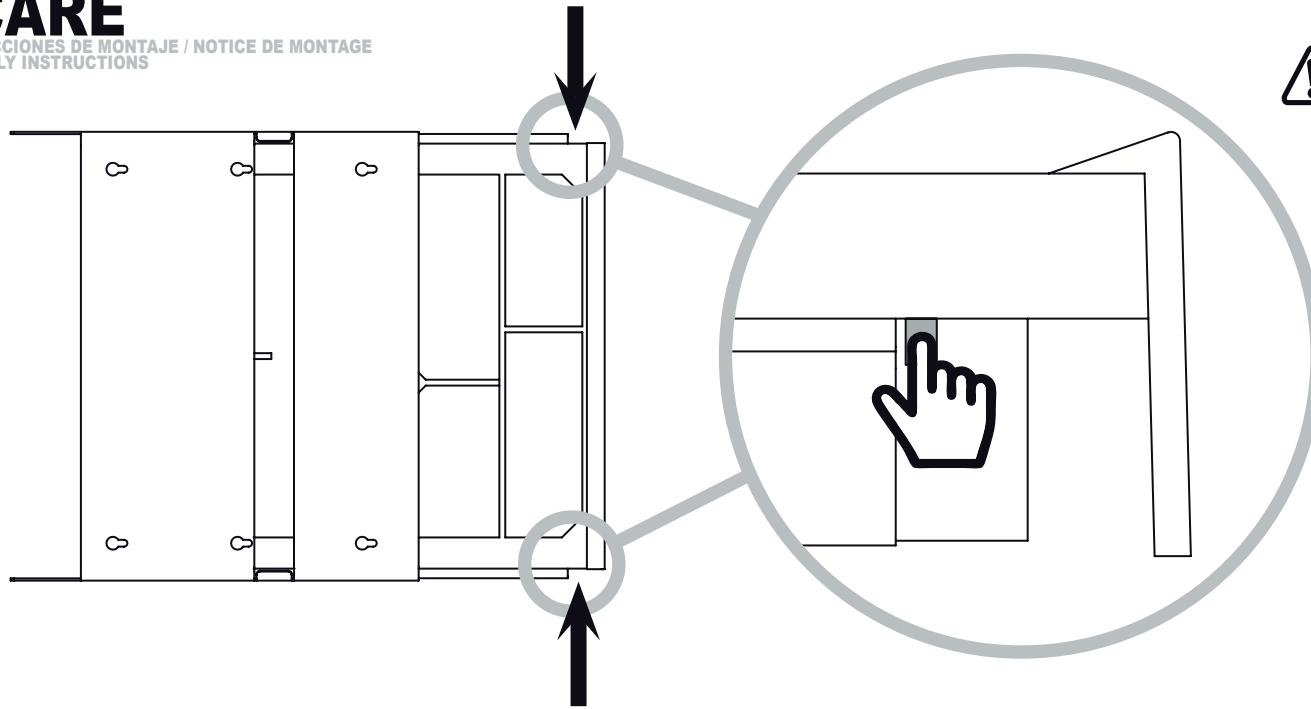


5



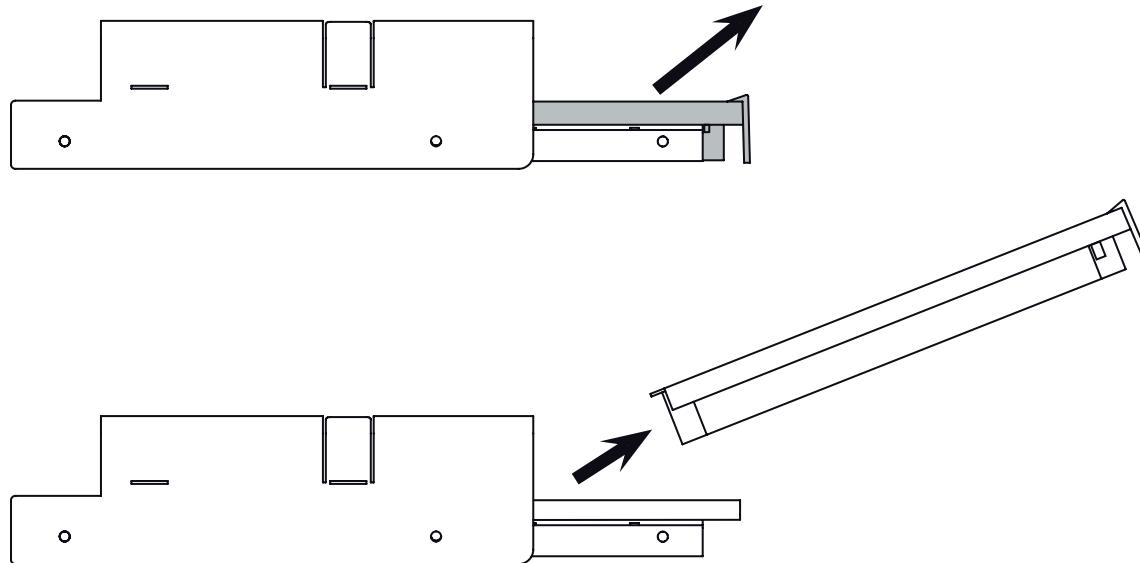
Apretar tornillos
Serrer les vis
Tighten screws

1

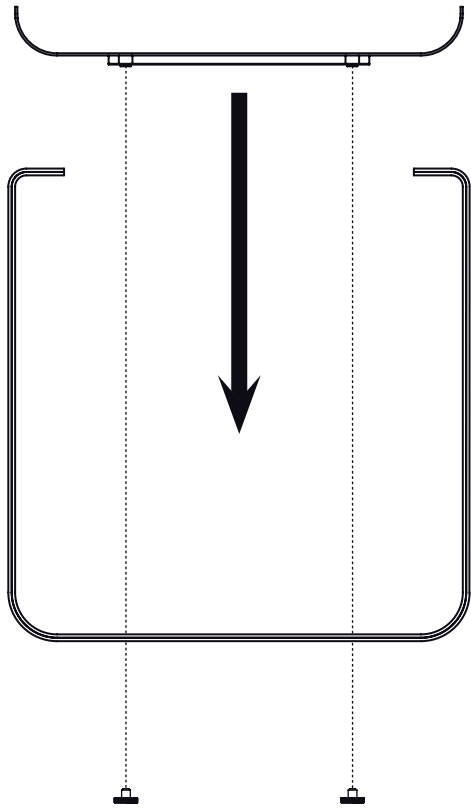


Presionar
Appuyer
Press

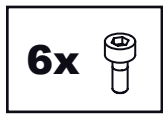
2



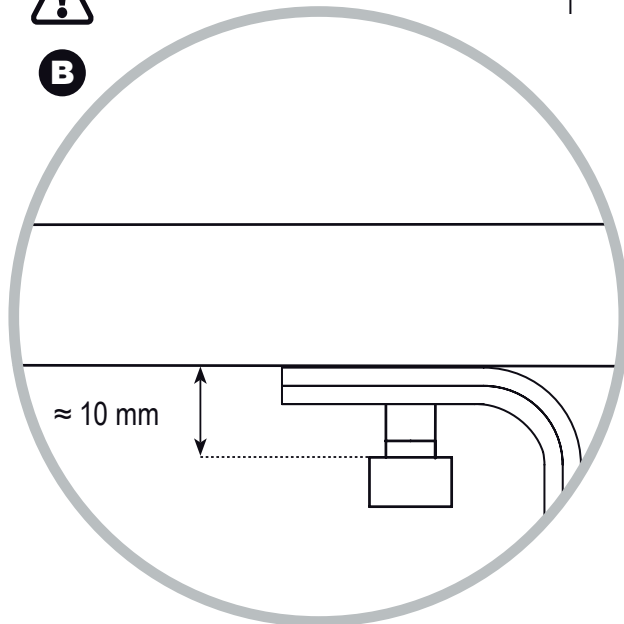
3



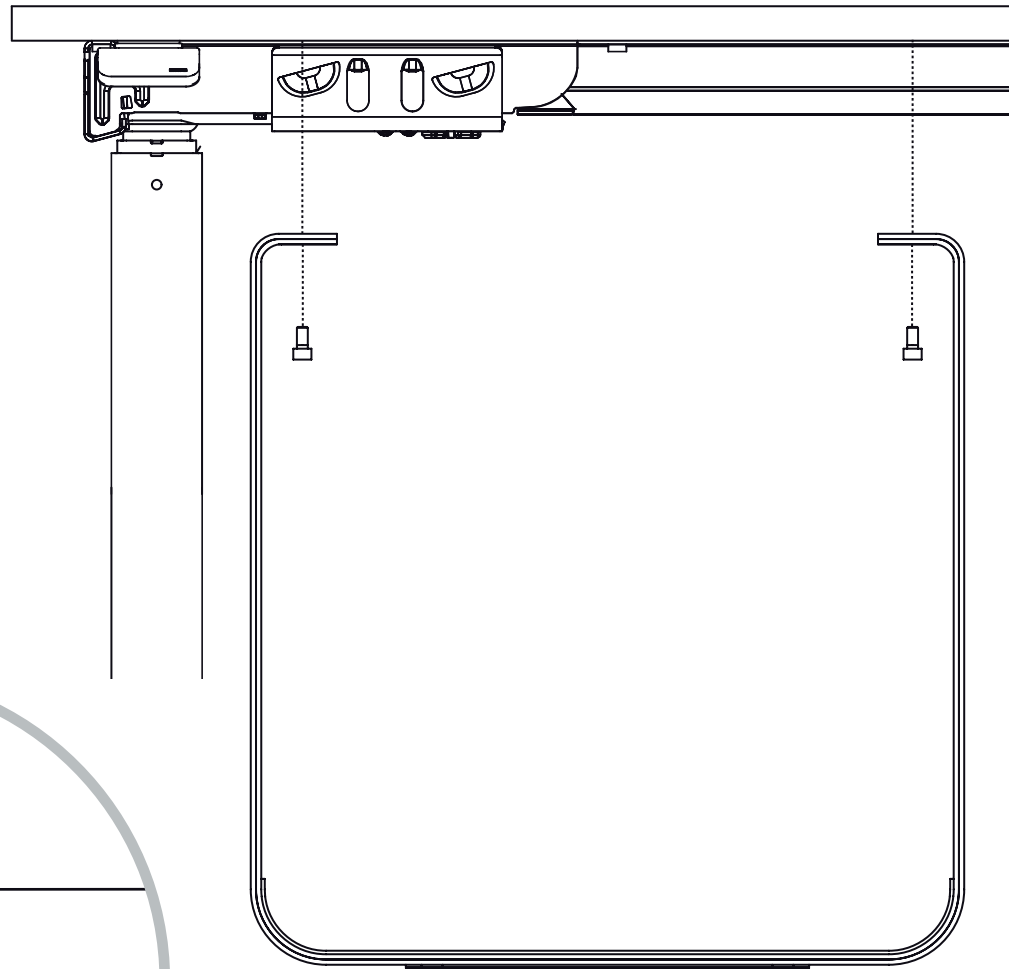
4



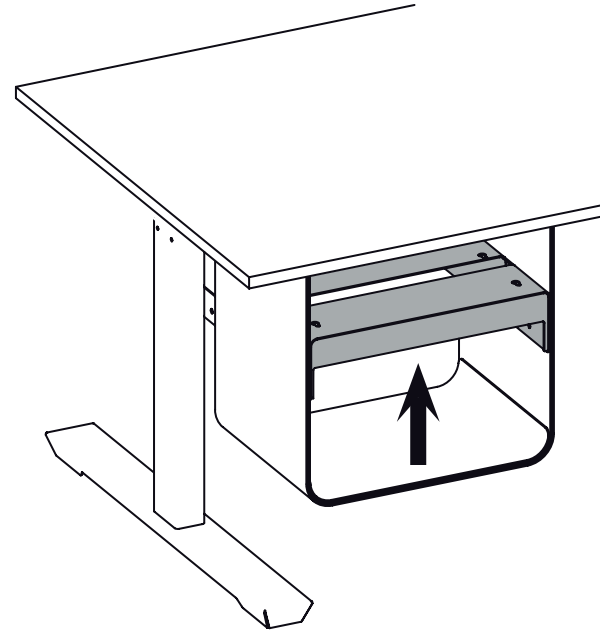
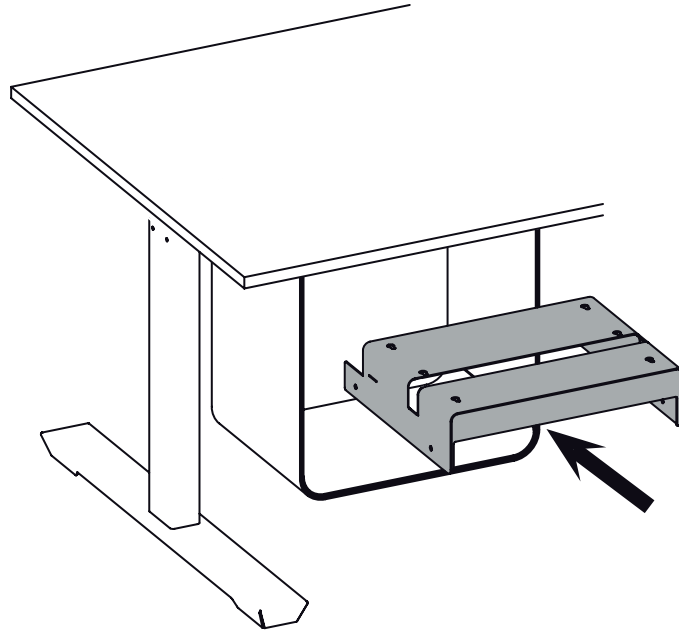
B



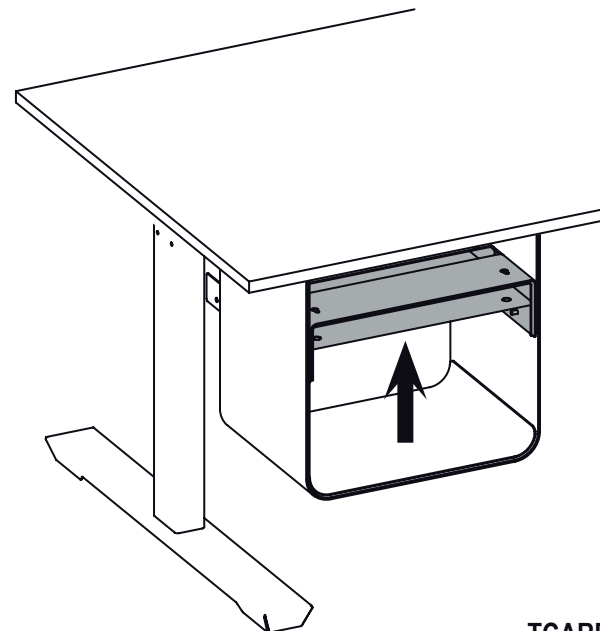
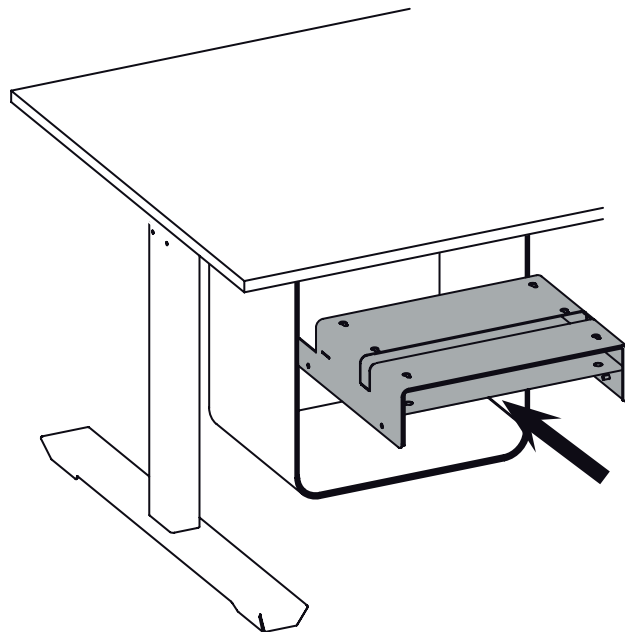
A



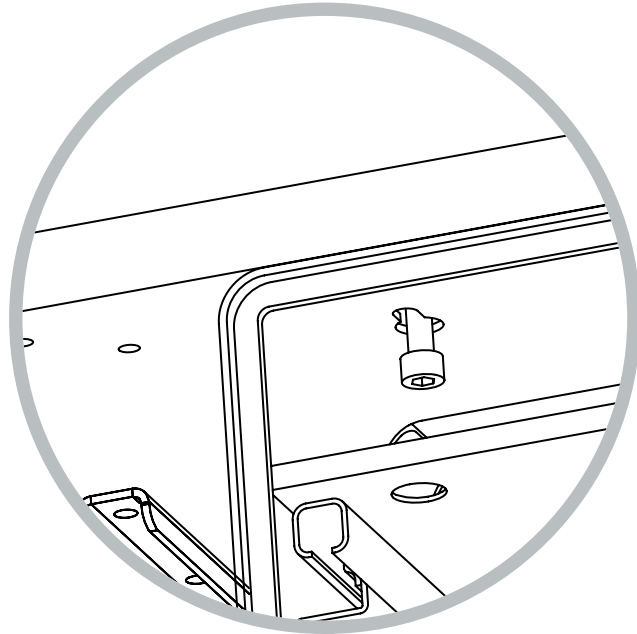
5 TCF-BPACK2



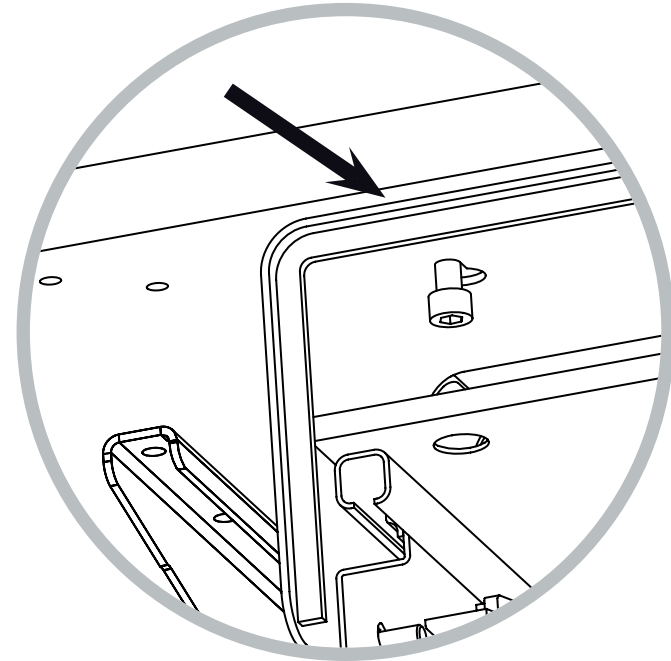
TCF-BPACK3



6

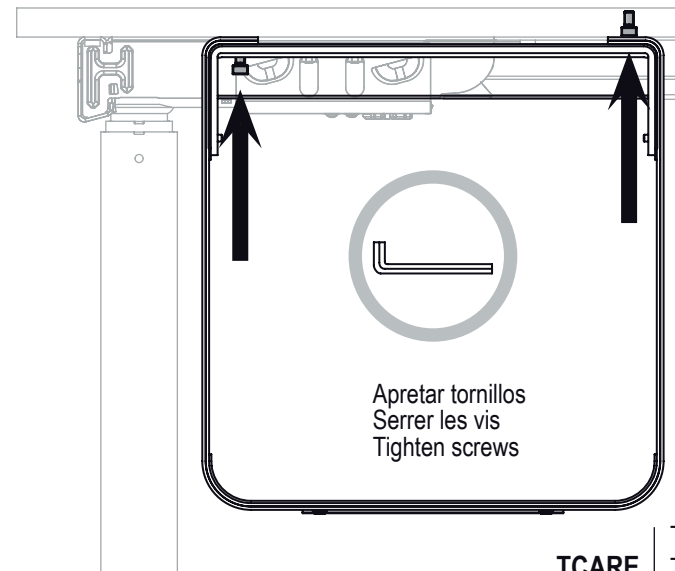
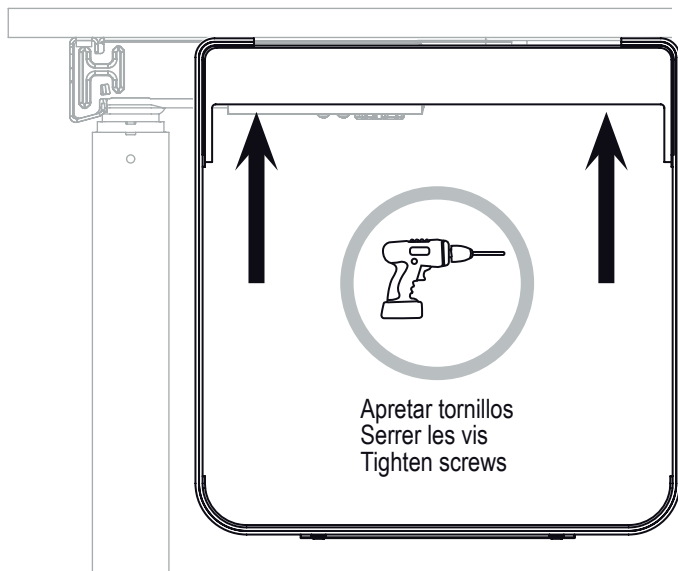


7

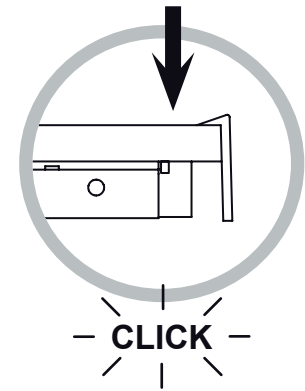
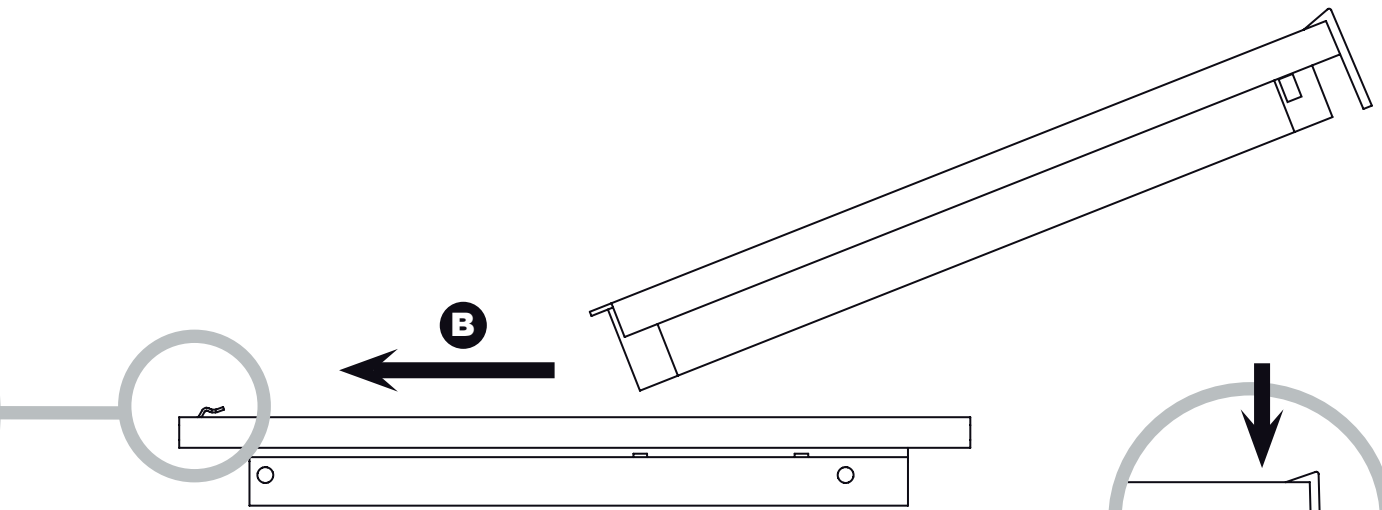
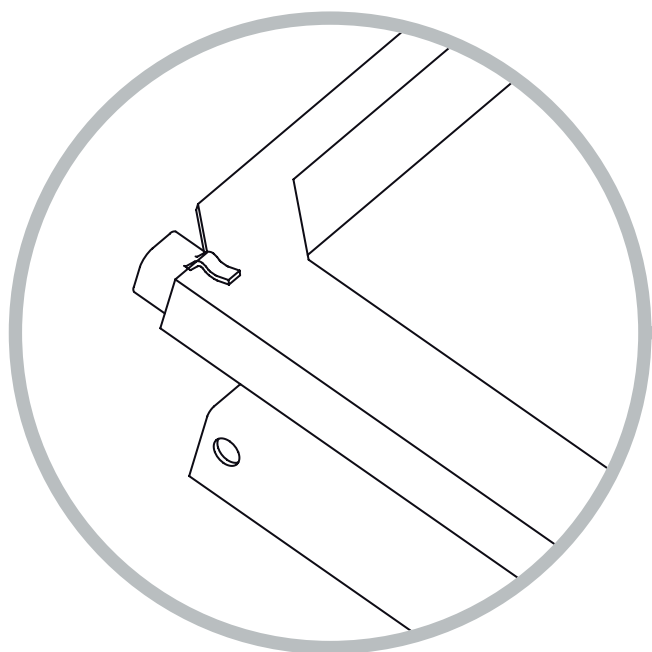
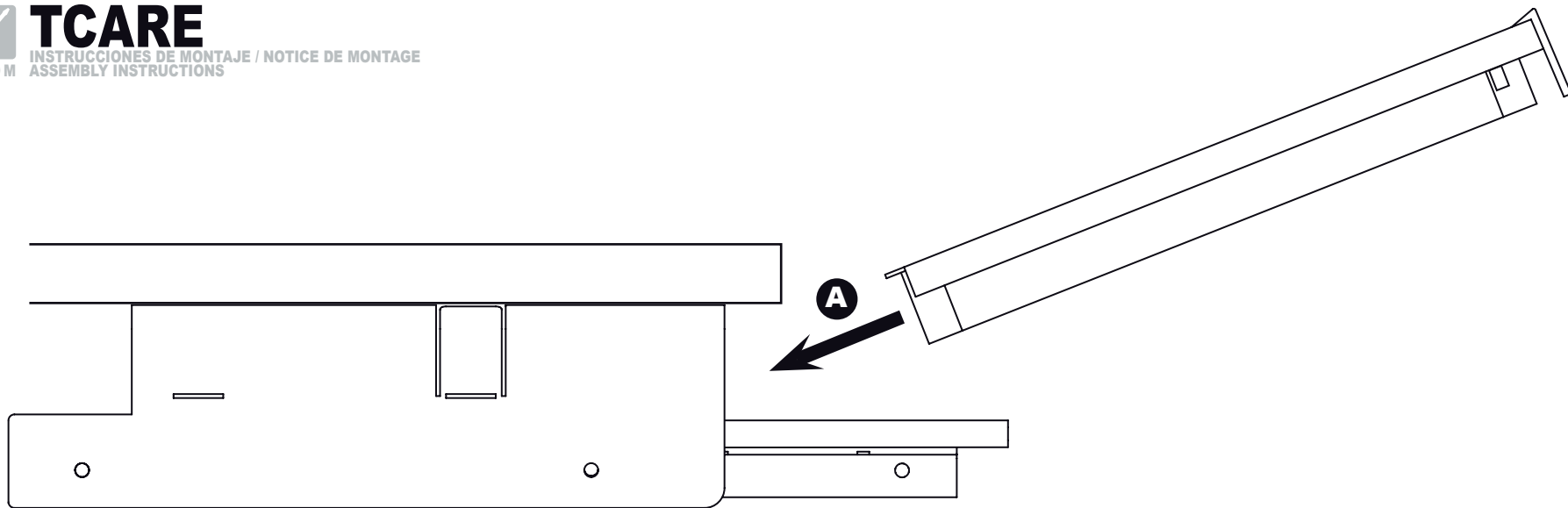


TCF-BPACK2

TCF-BPACK3

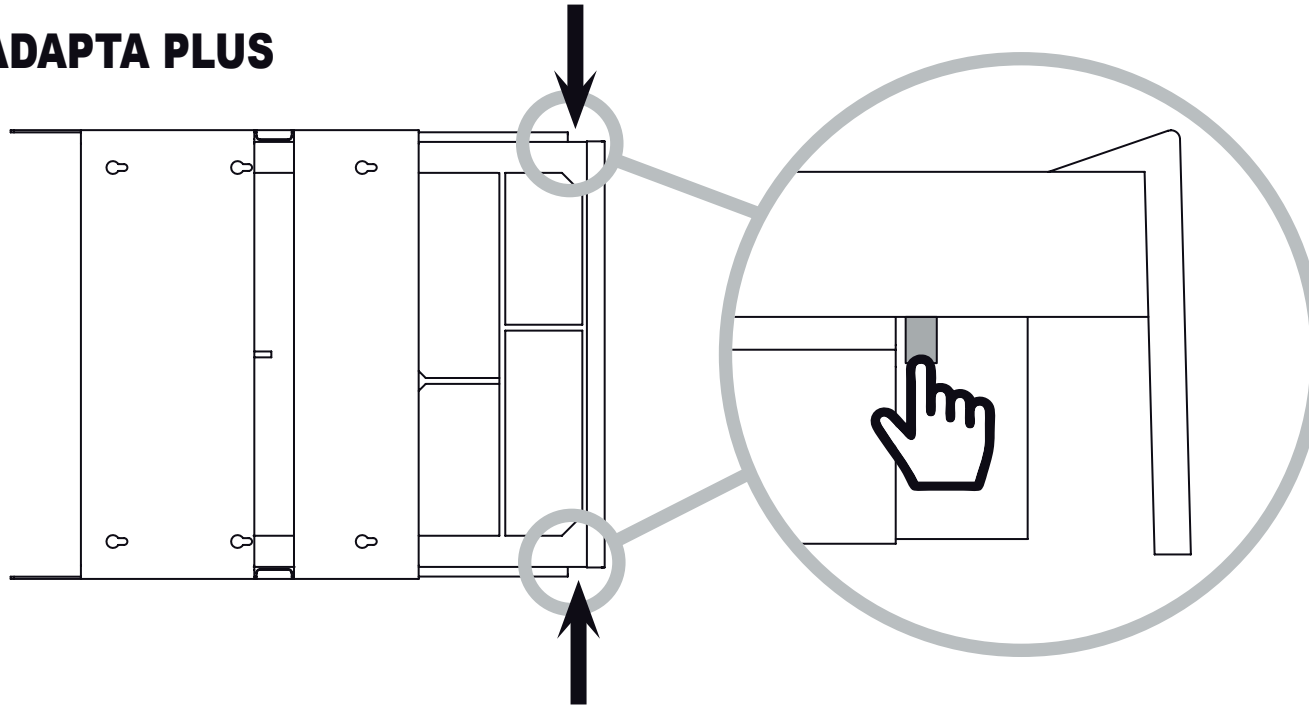


8



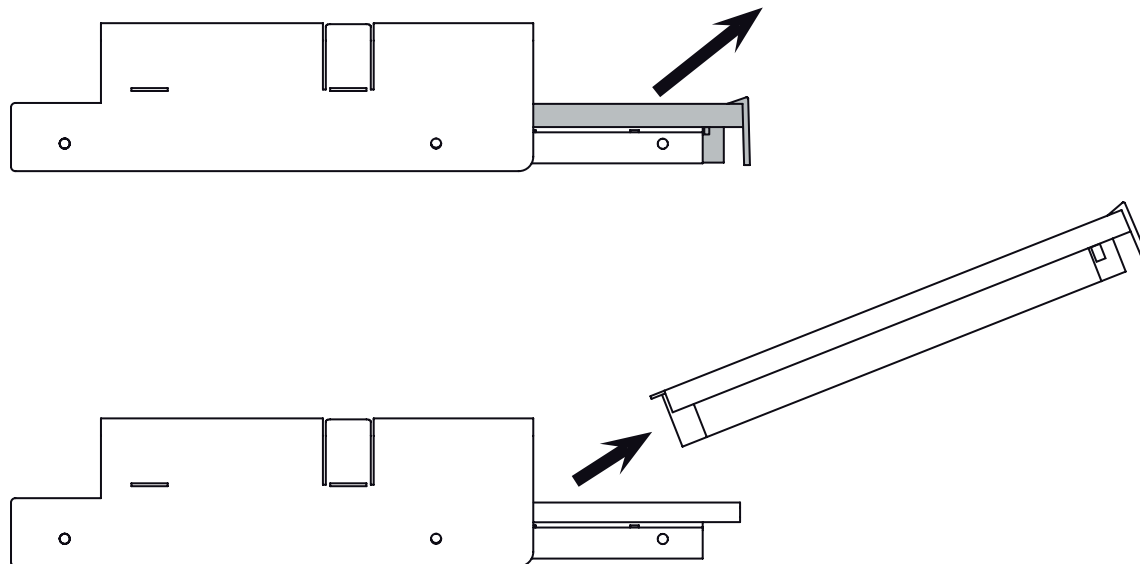
TWORK | ADAPTA PLUS

1



Presionar
Appuyer
Press

2

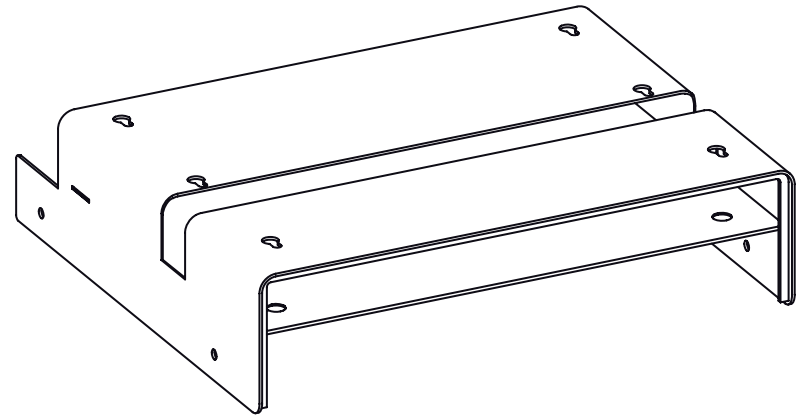
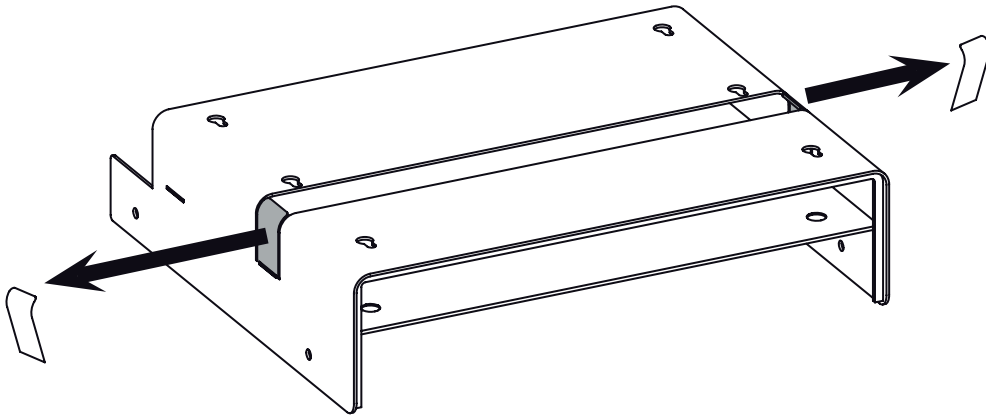


3

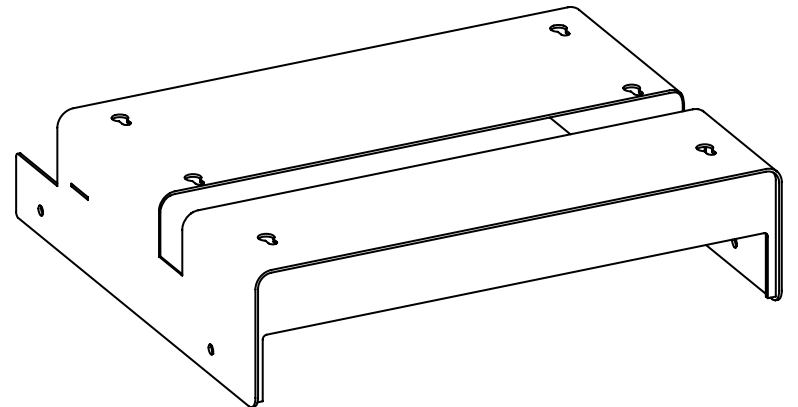
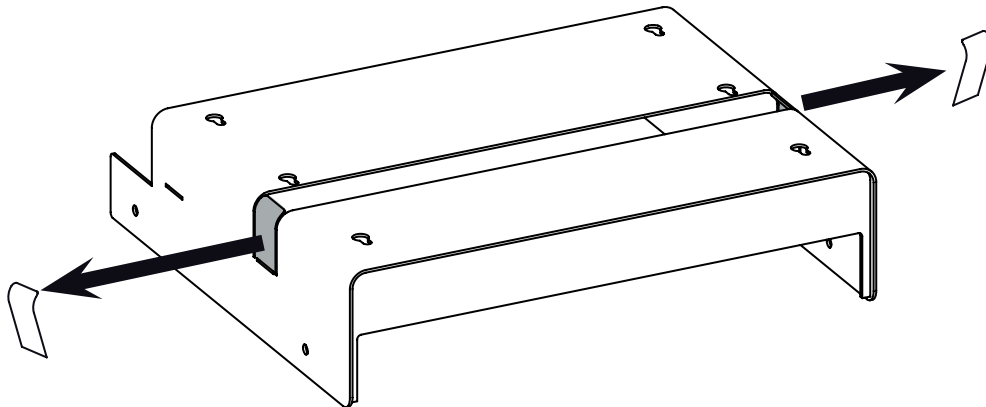


Romper pestañas
Romper pestañas
Romper pestañas

TCB-PACK4



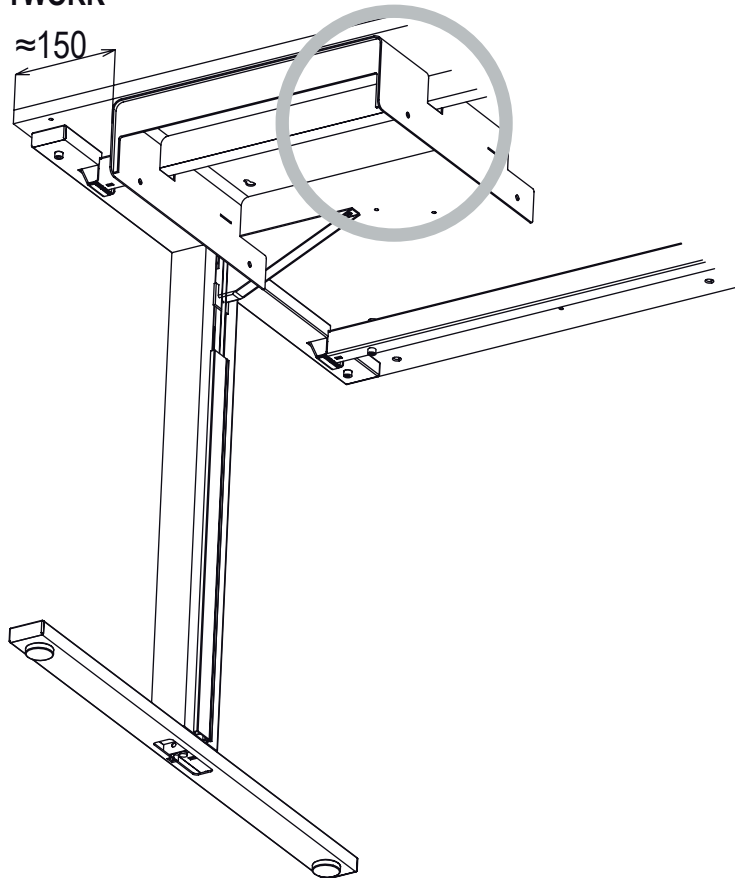
TCB-PACK5



4

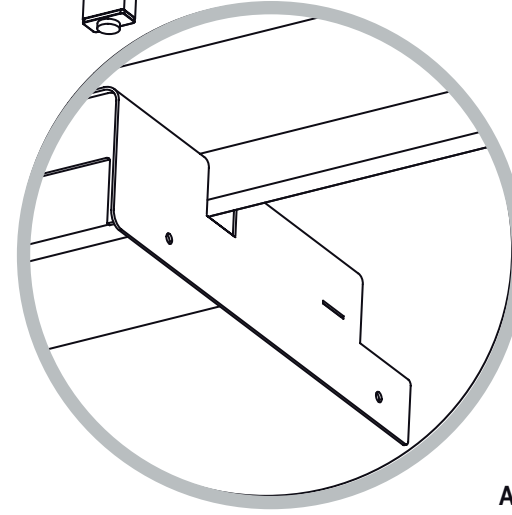
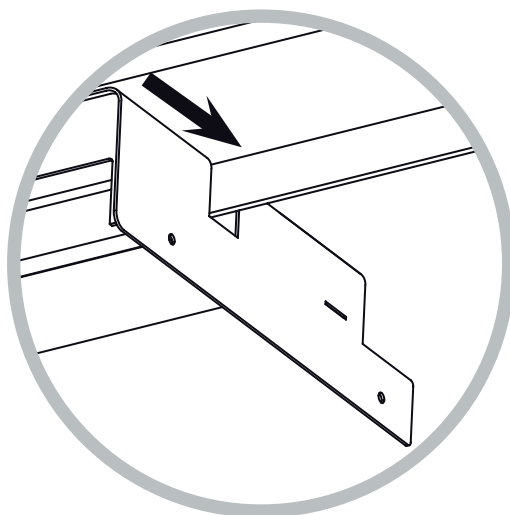
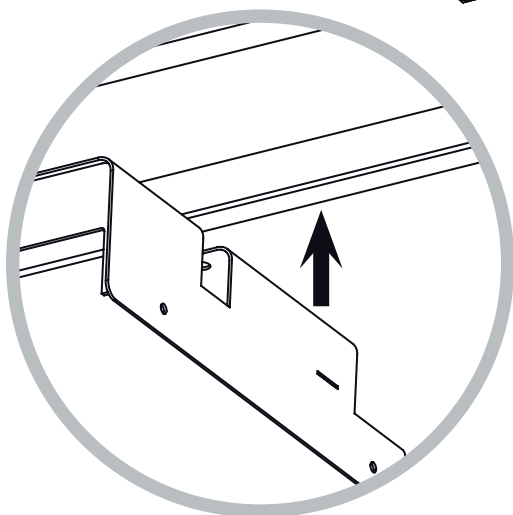
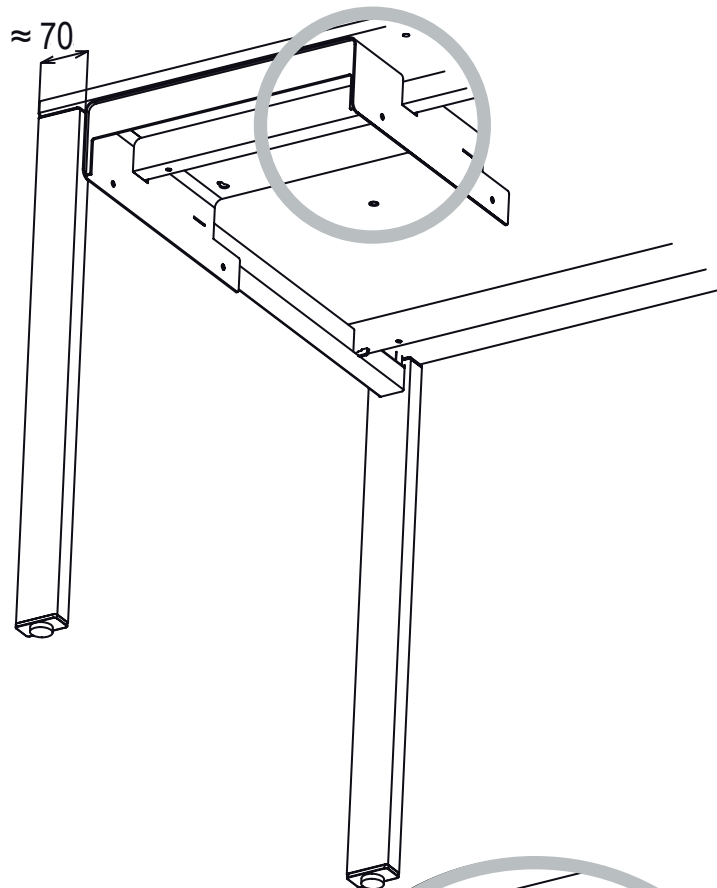
TWORK

≈150



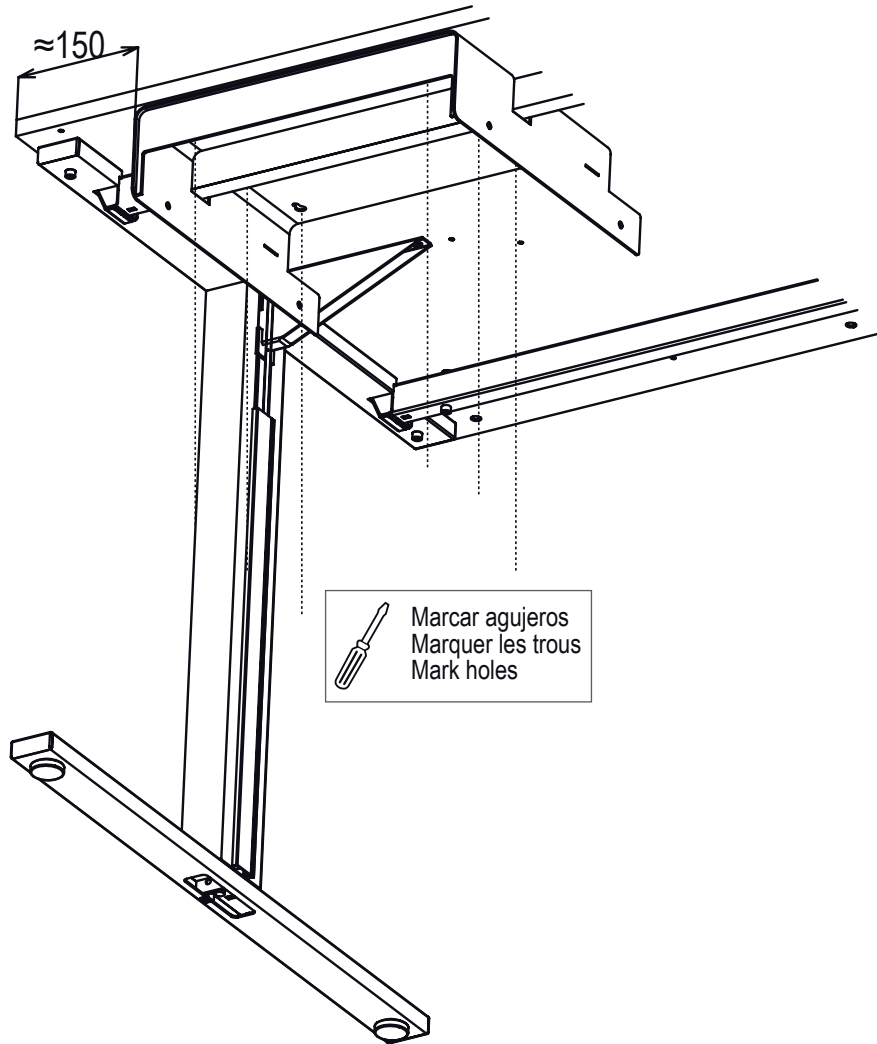
ADAPTA PLUS

≈70

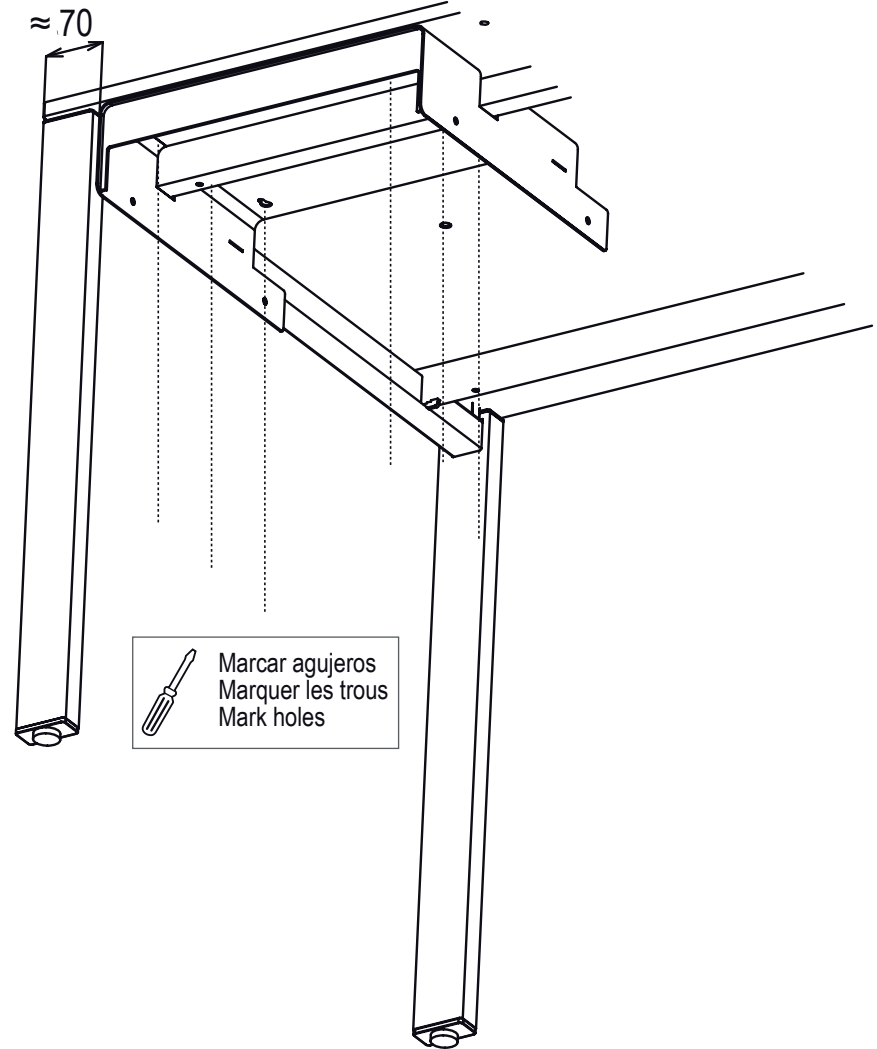


TWORK

5

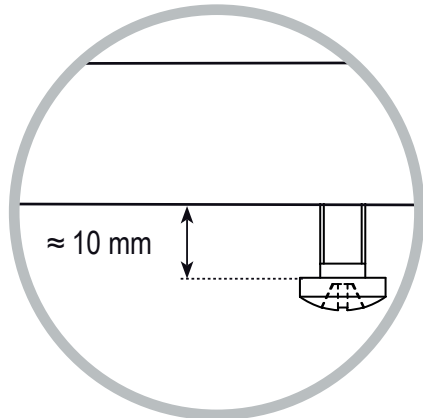
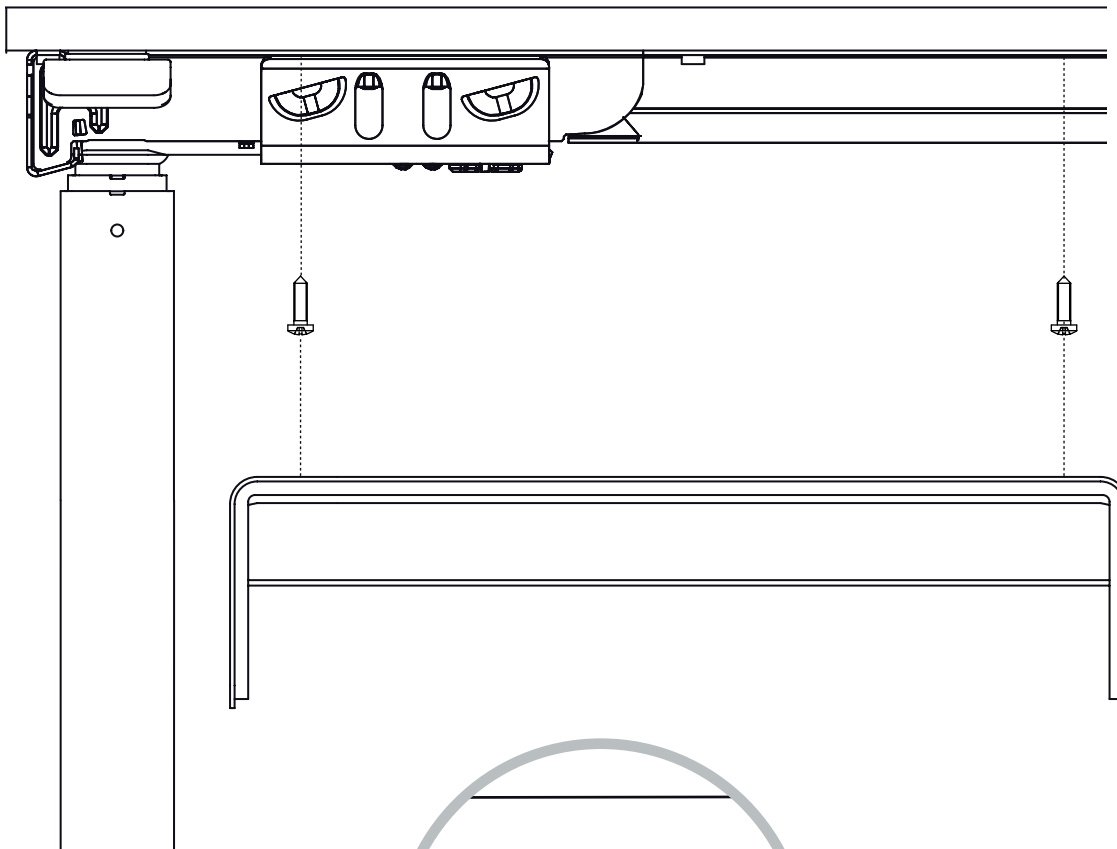


ADAPTA PLUS

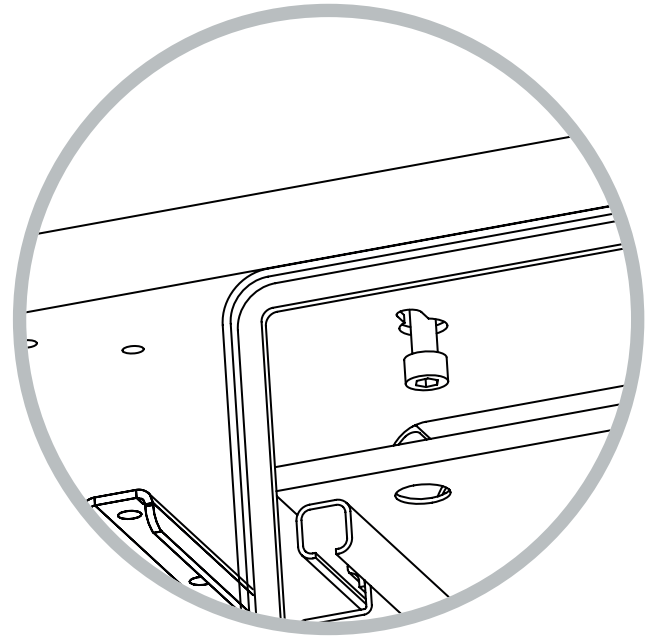


6

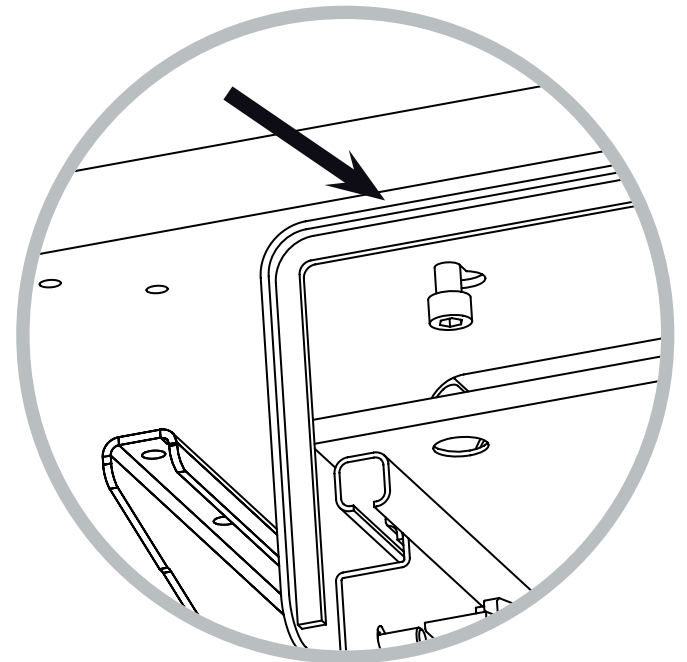
6x



7

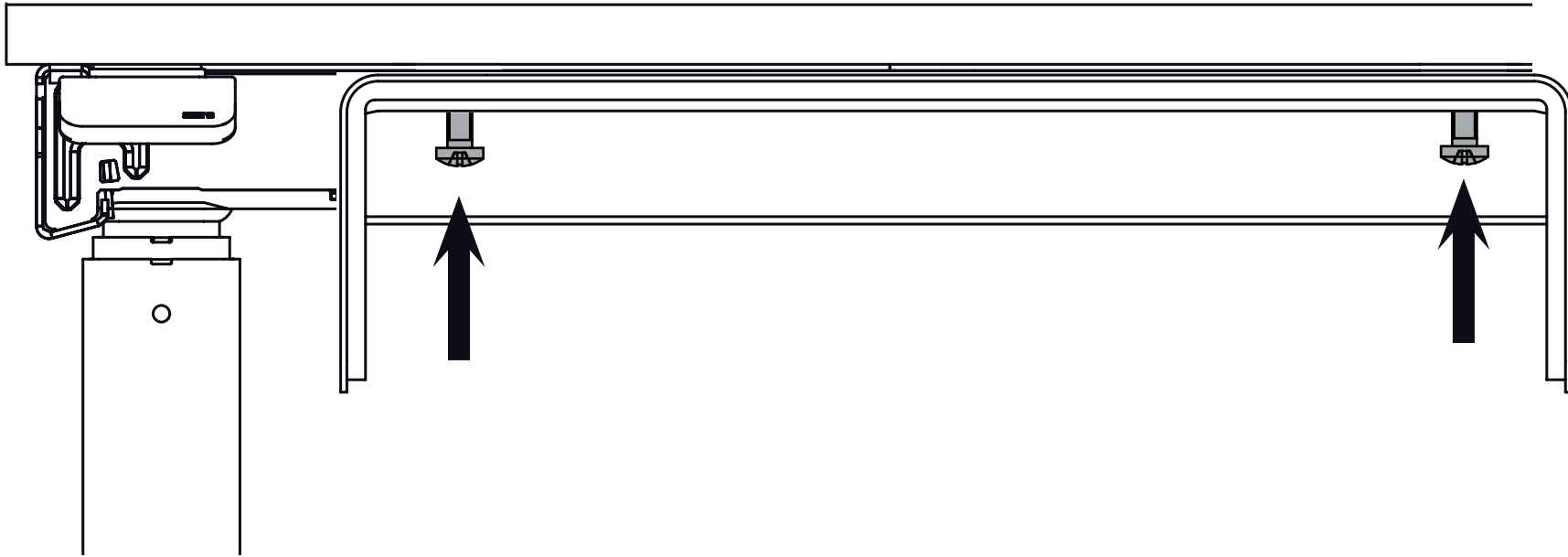


8

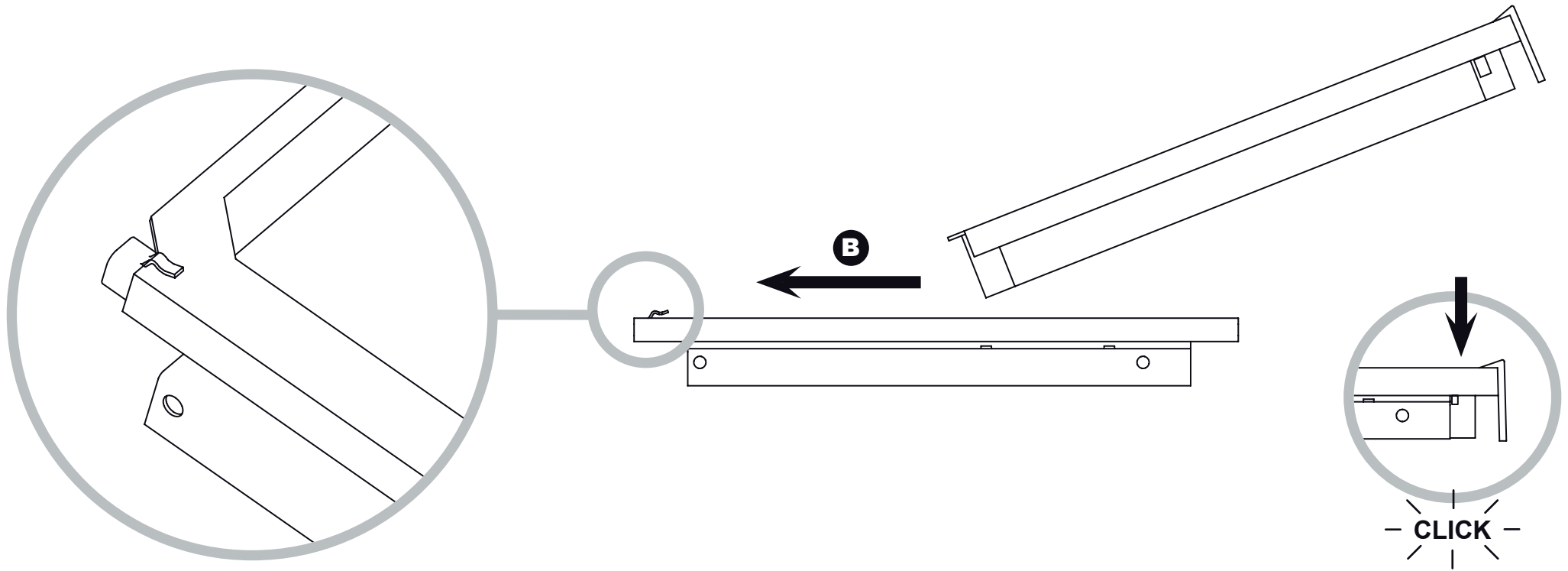
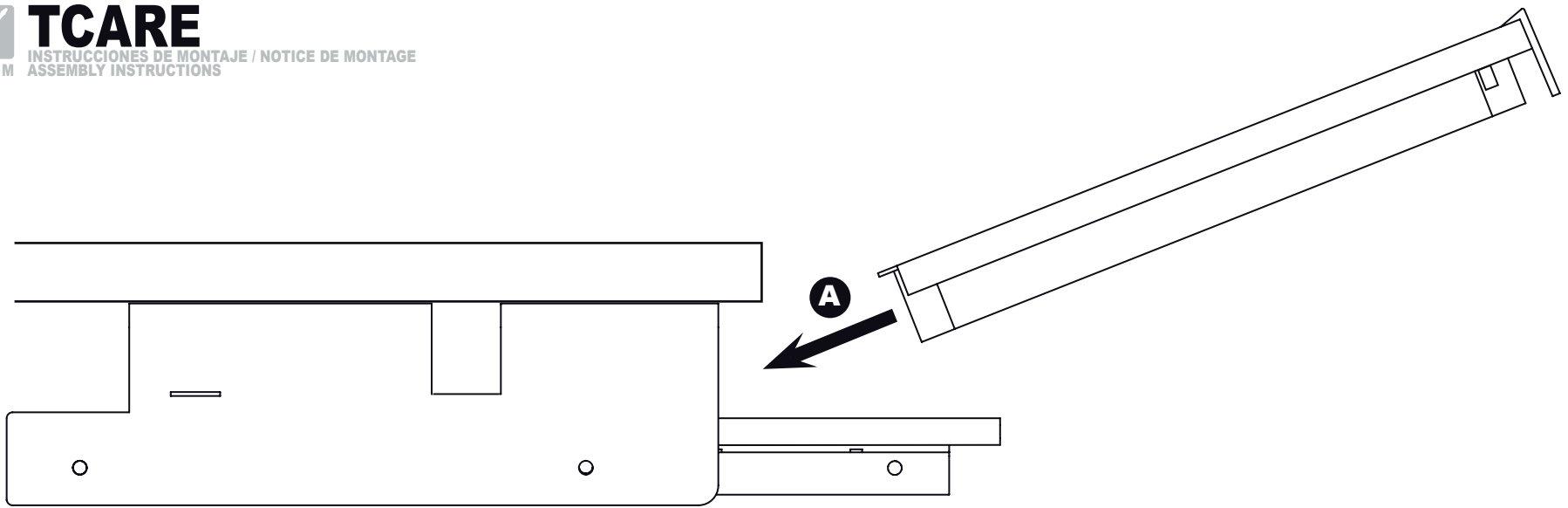


9

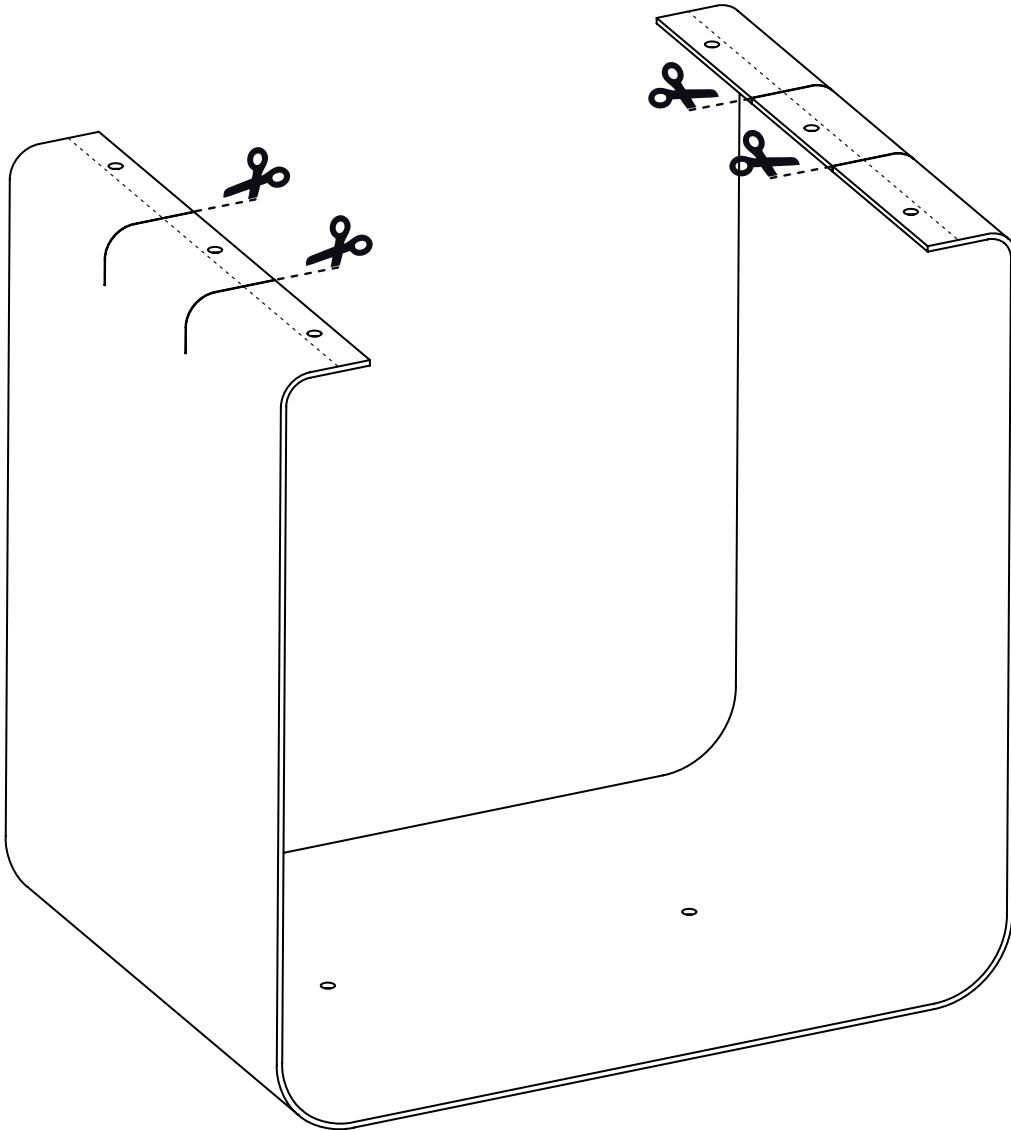
Apretar tornillos
Serrer les vis
Tighten screws



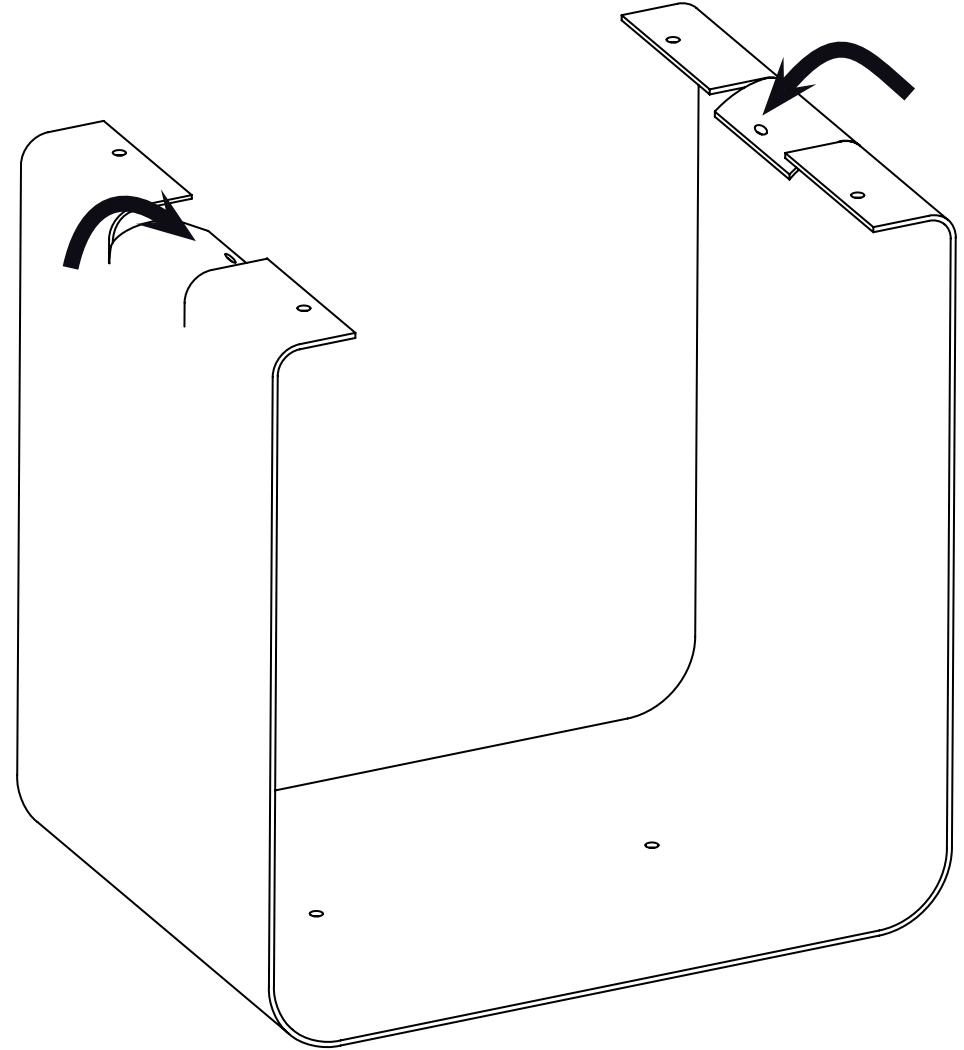
10



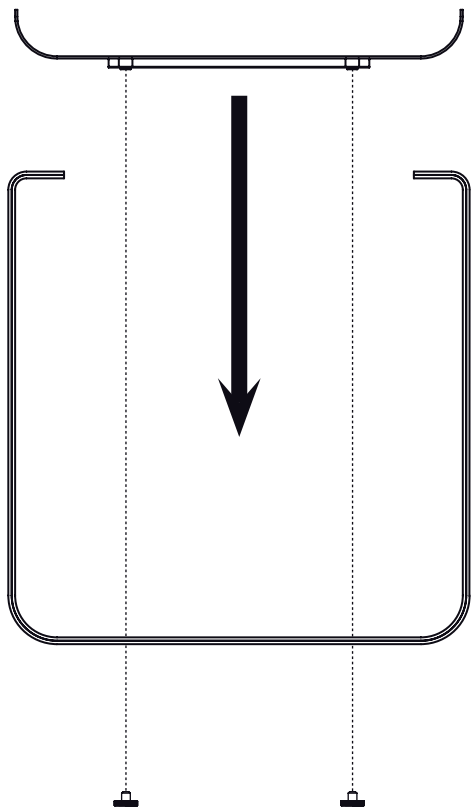
6



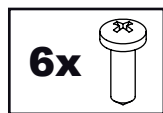
7



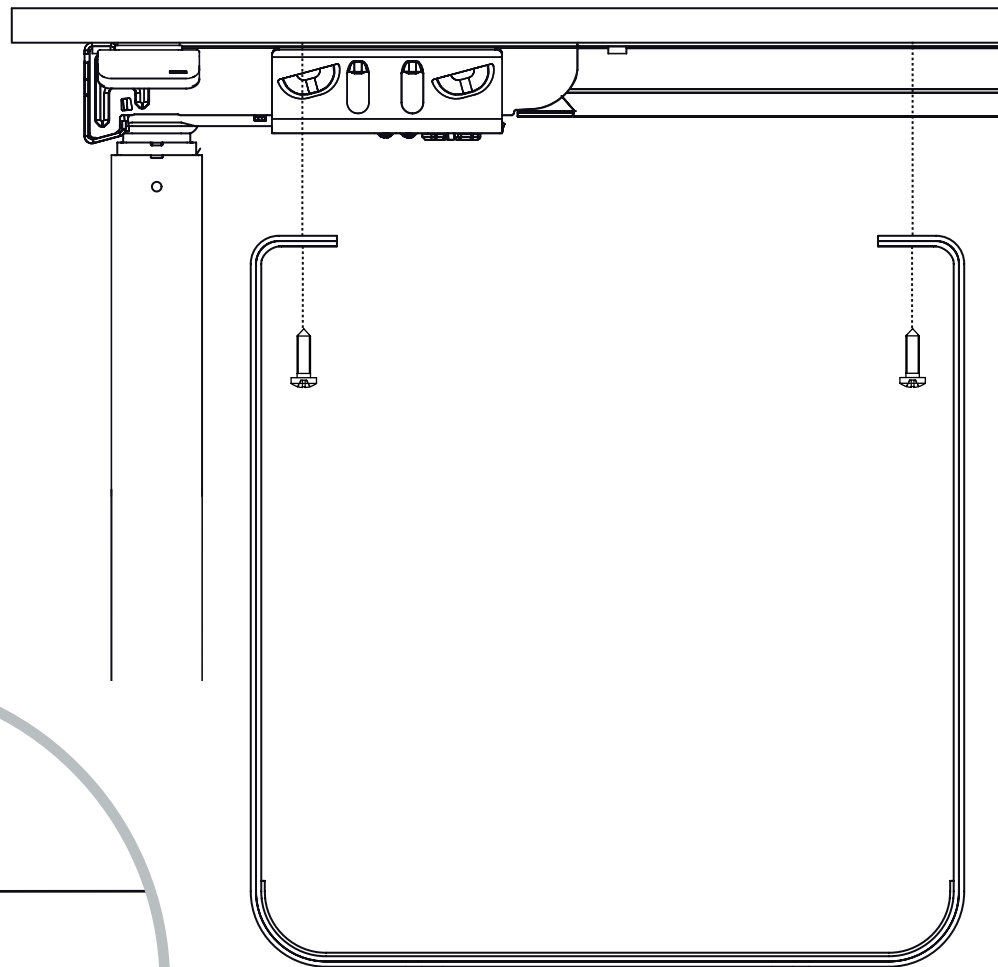
8



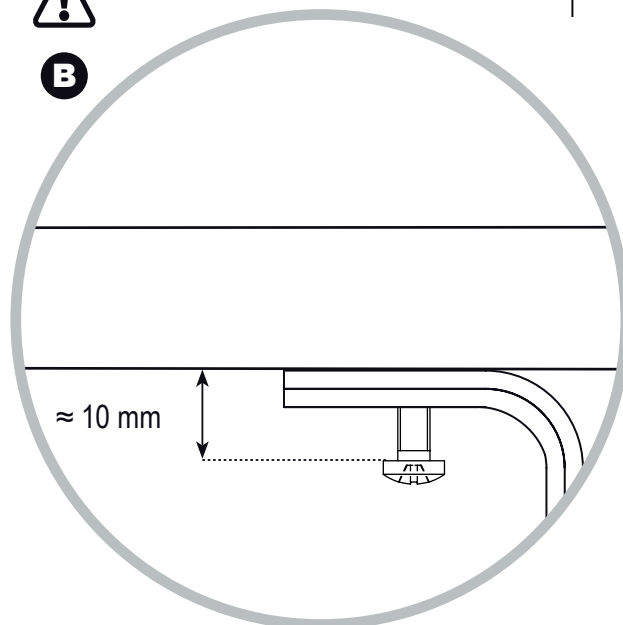
9



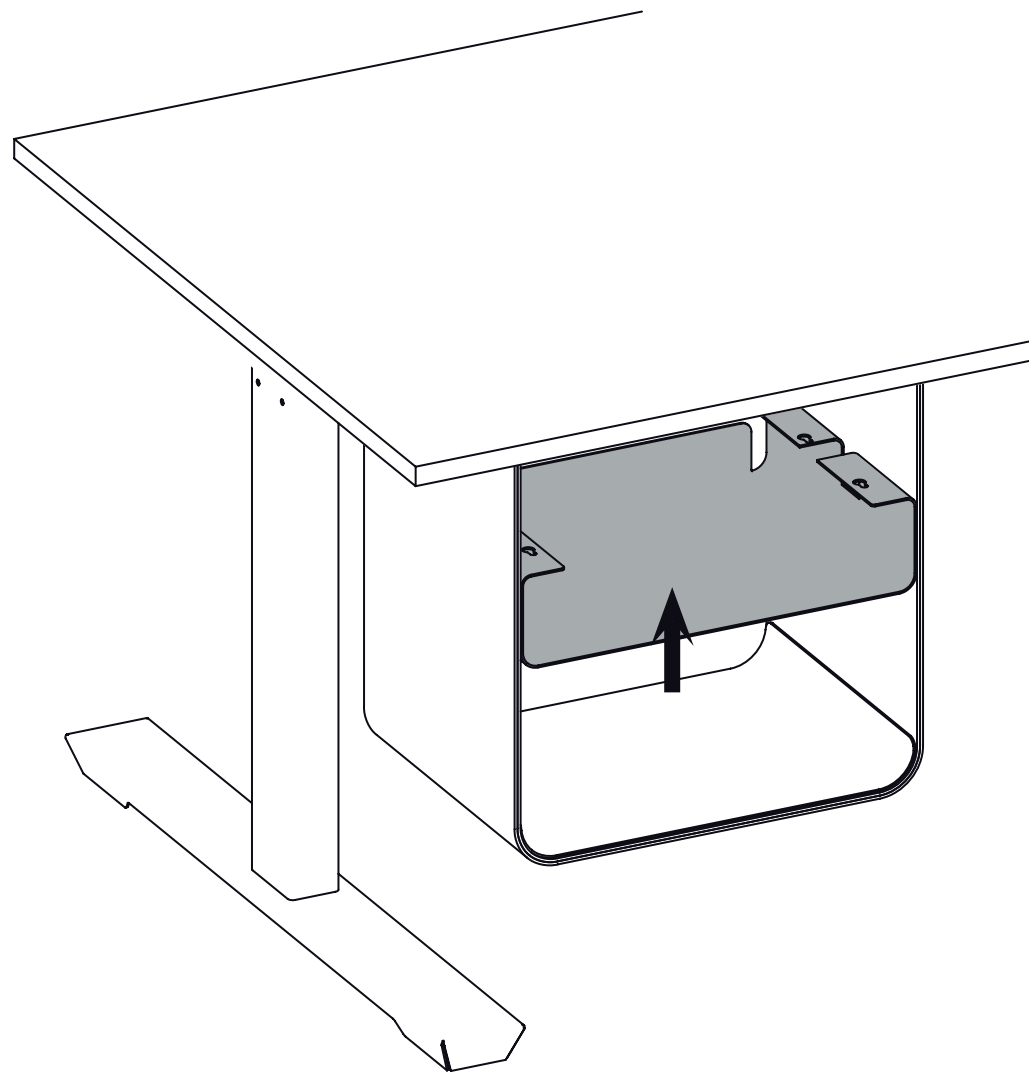
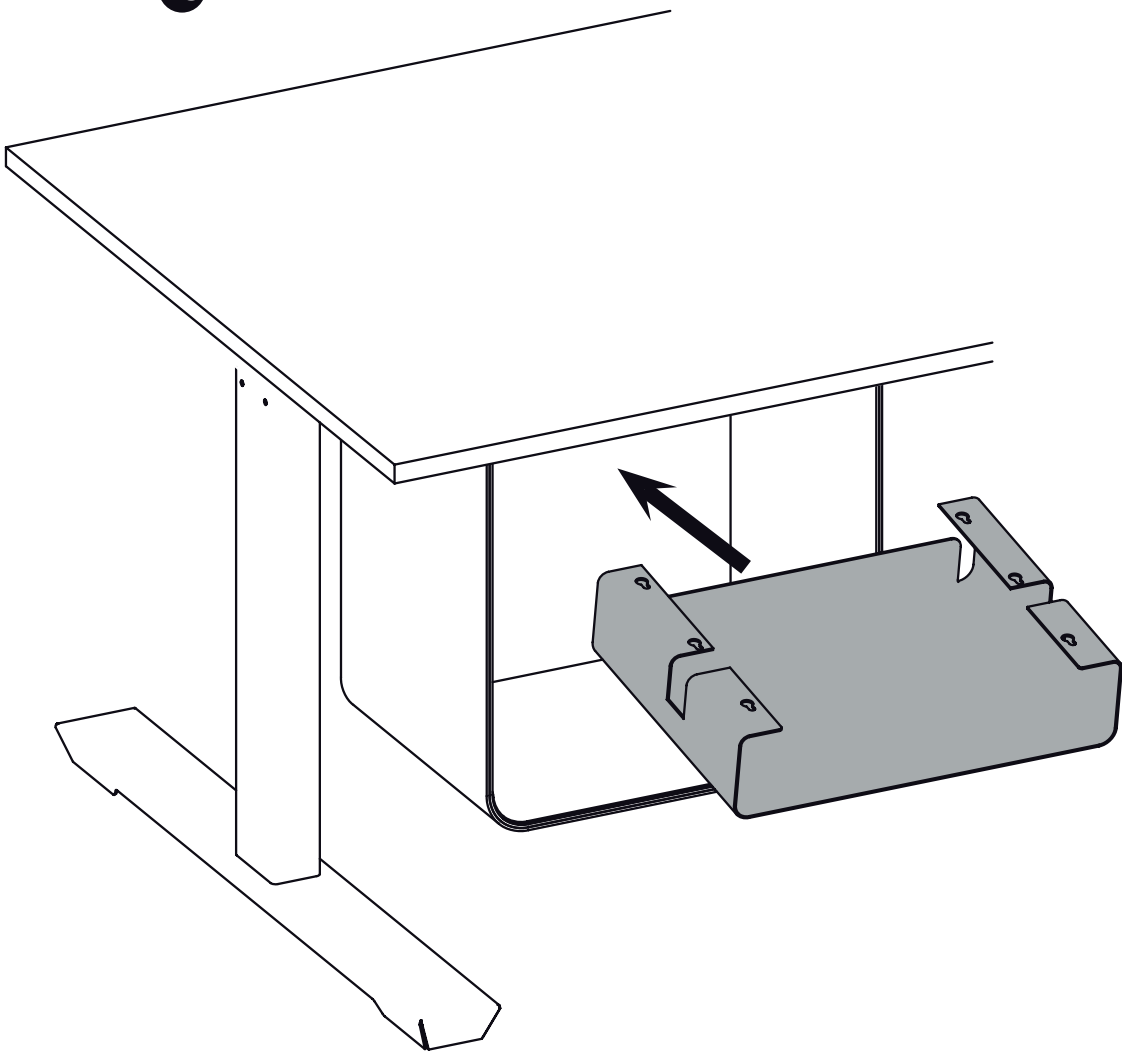
A



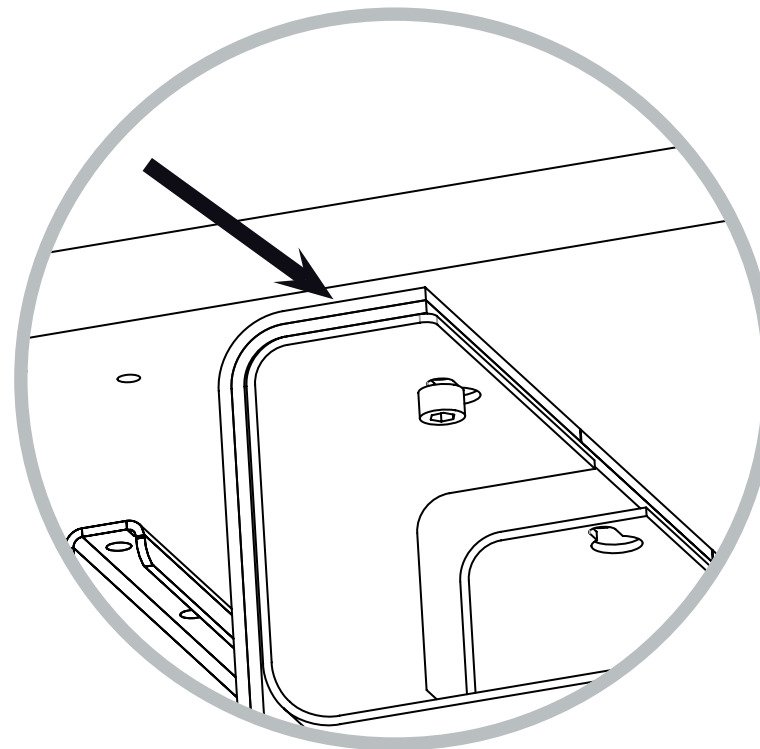
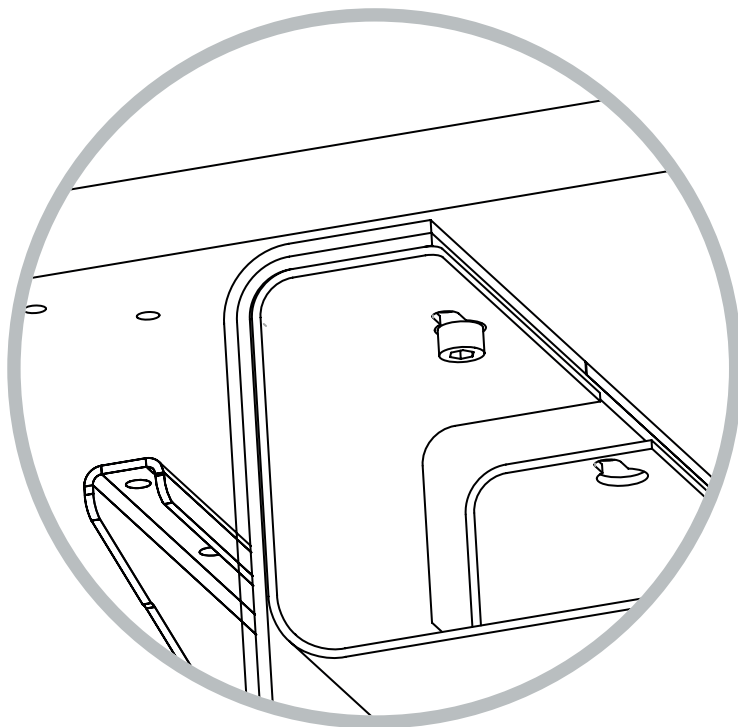
B



10



11

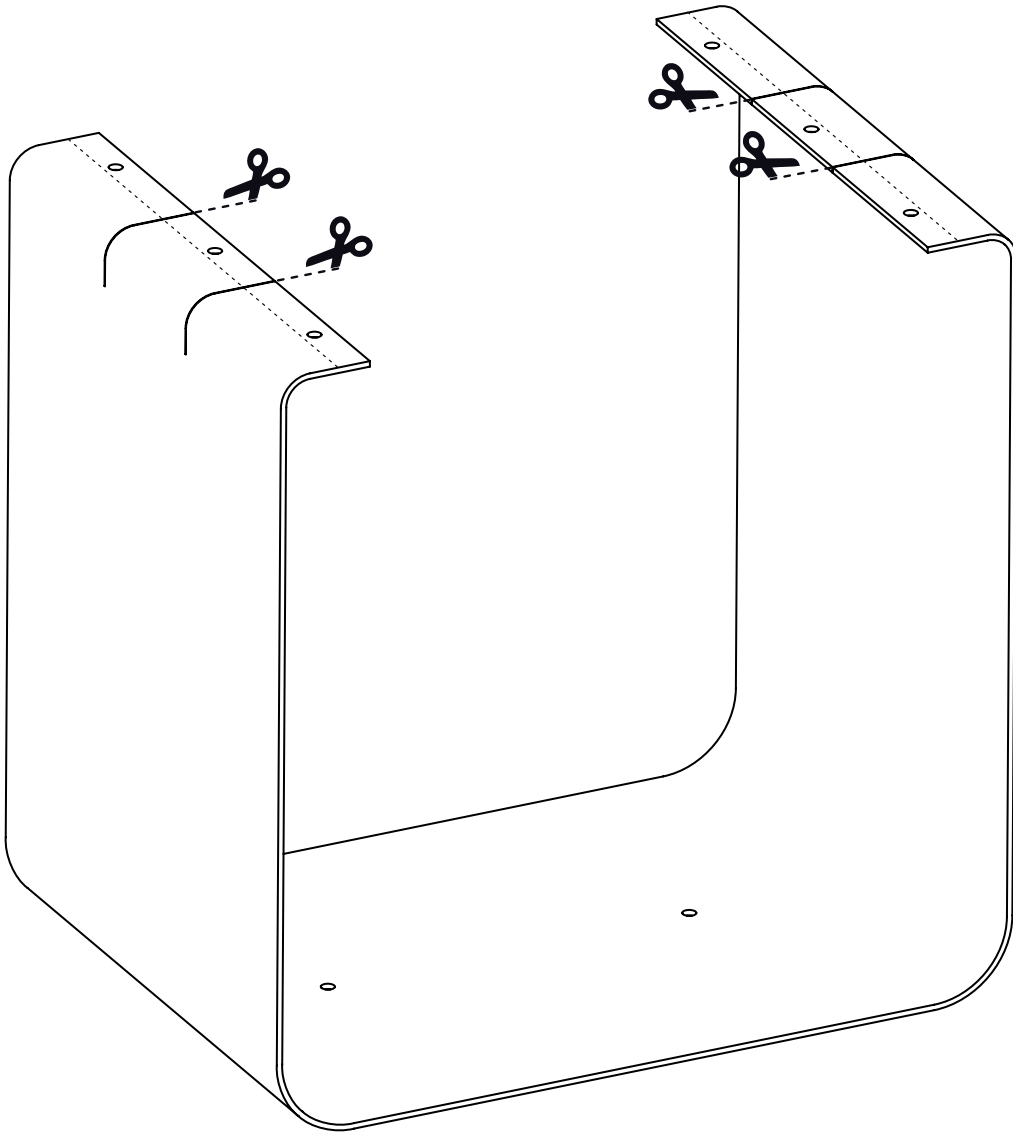


12

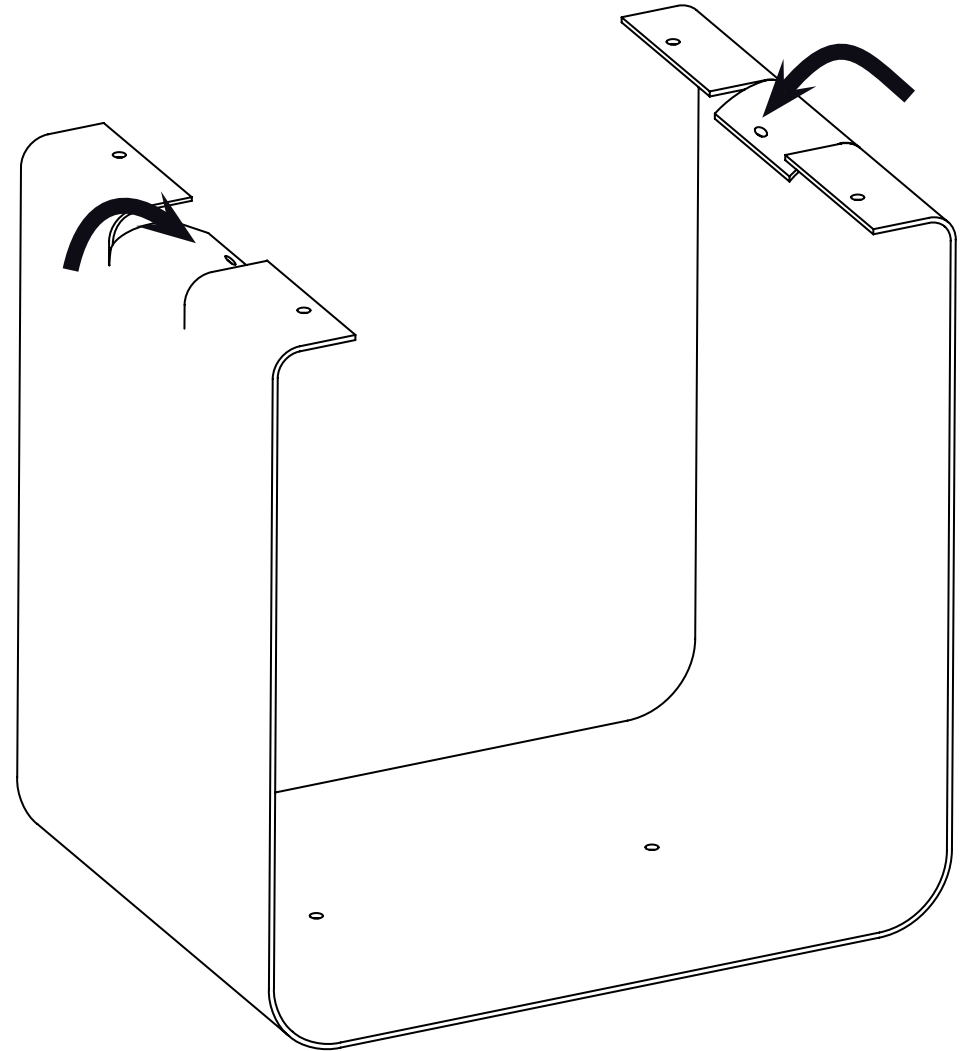


Apretar tornillos
Serrer les vis
Tighten screws

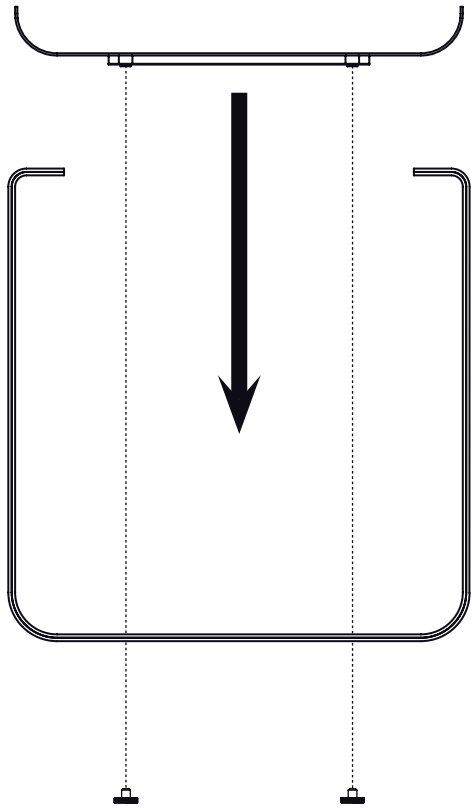
6



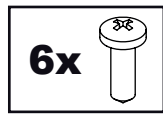
7



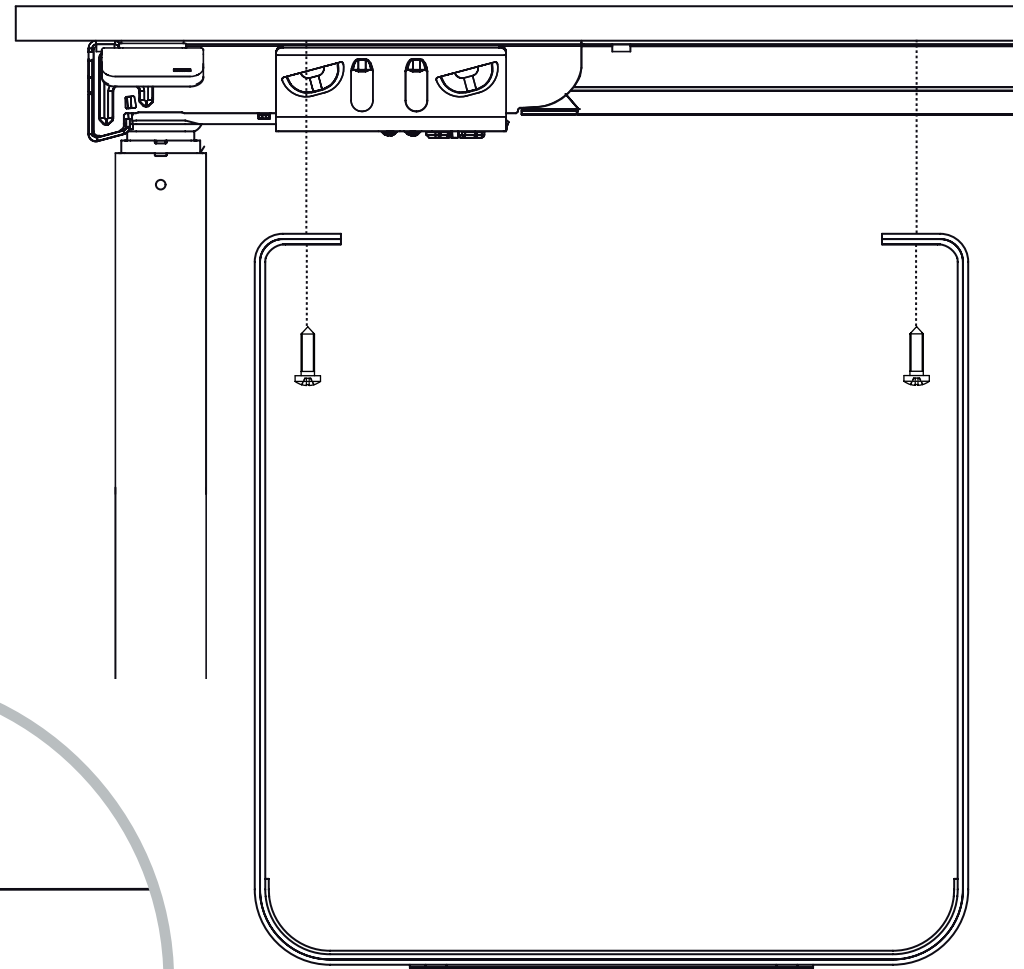
7



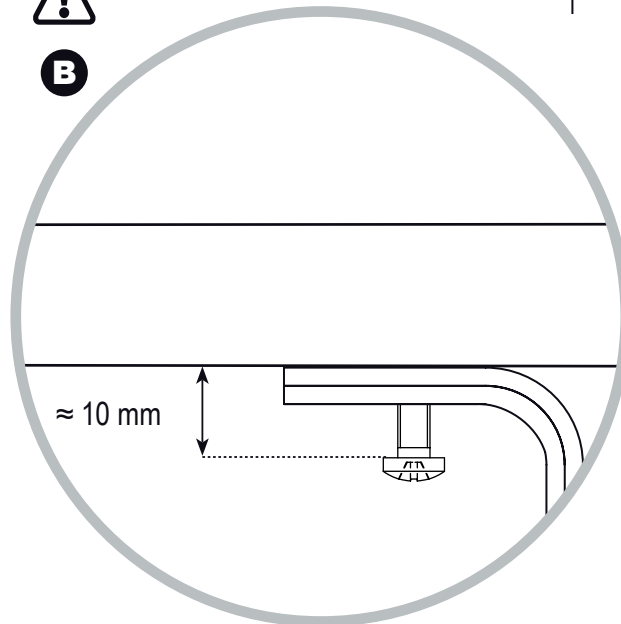
8



A

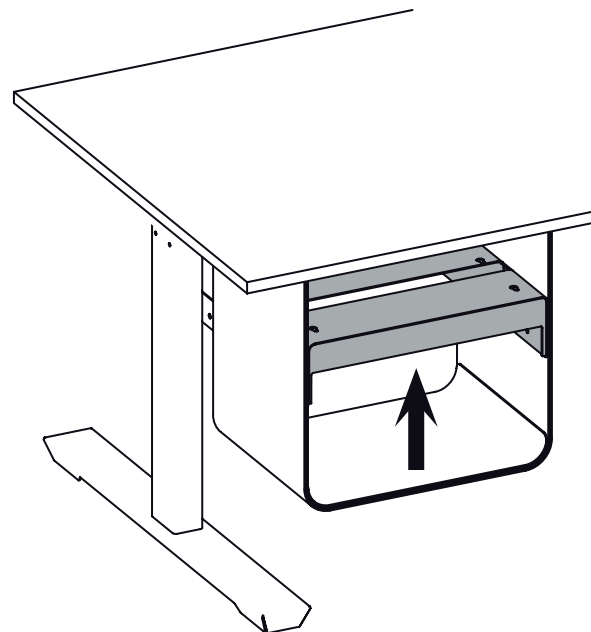
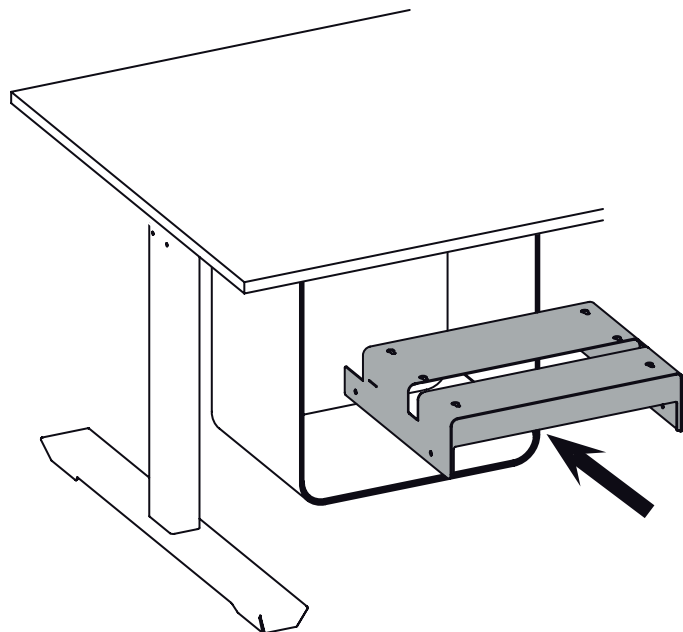


B

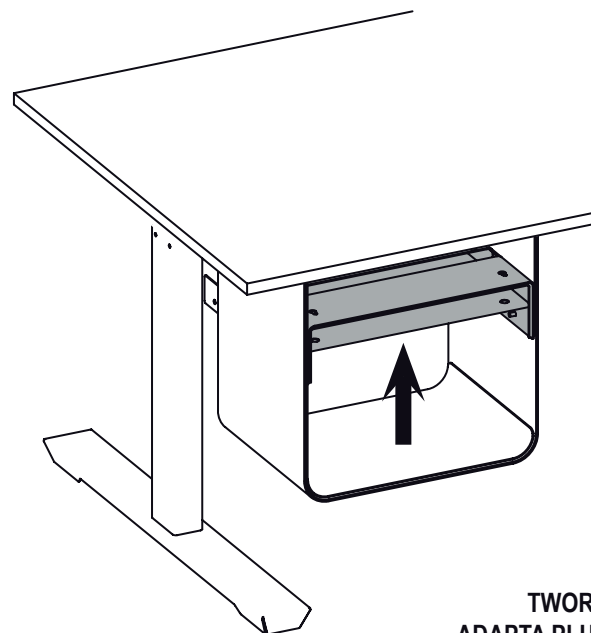
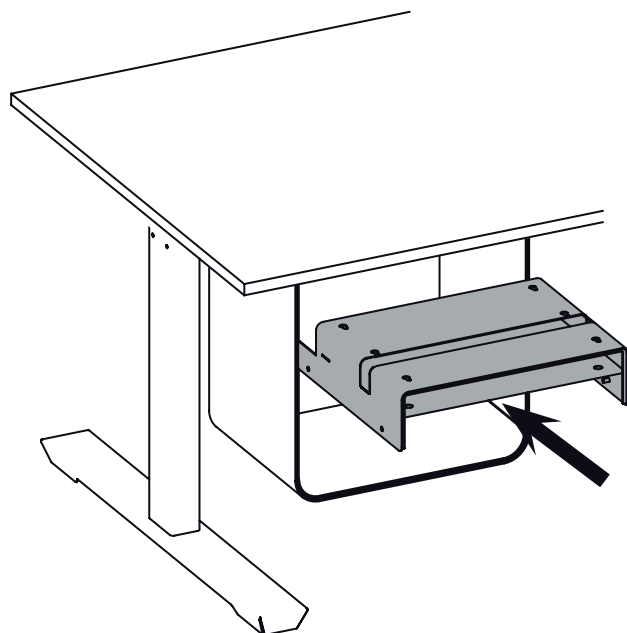




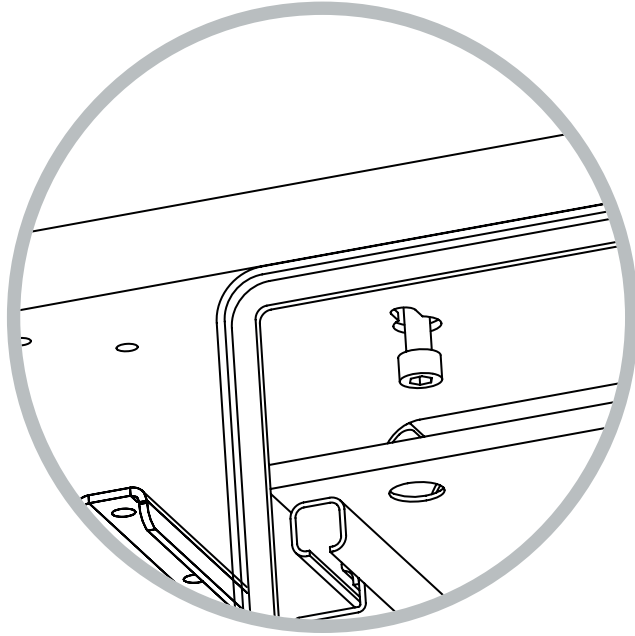
9 TCF-BPACK2



TCF-BPACK3

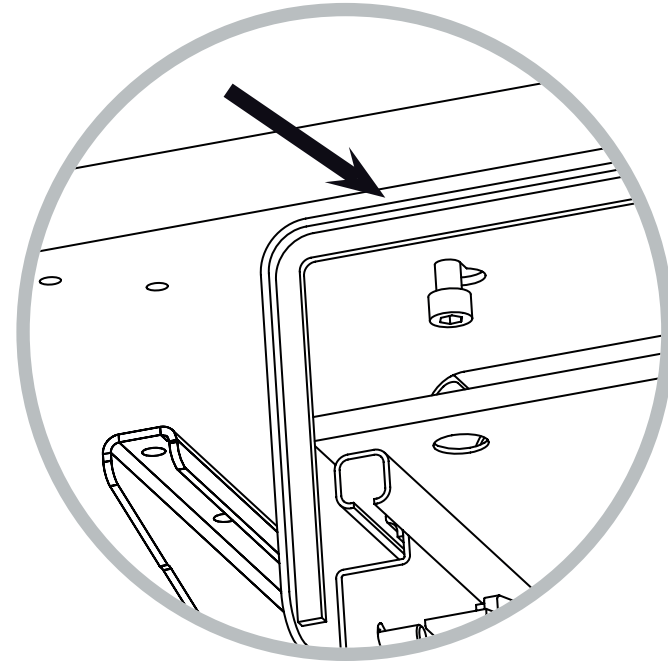
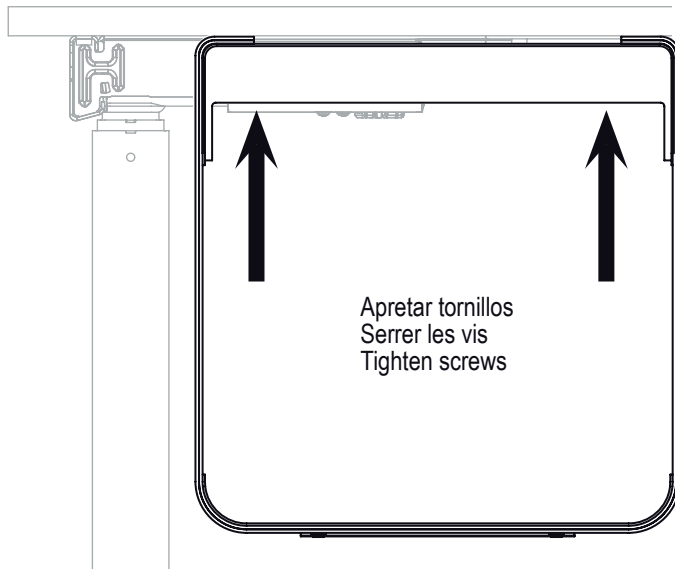


11

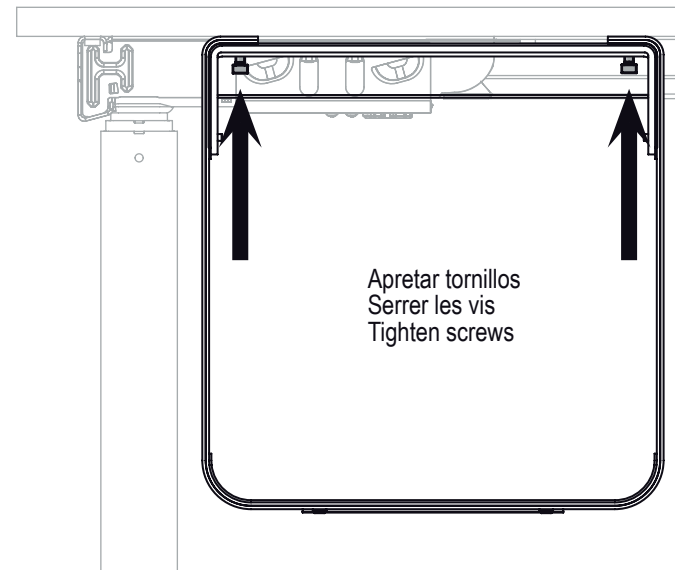


12

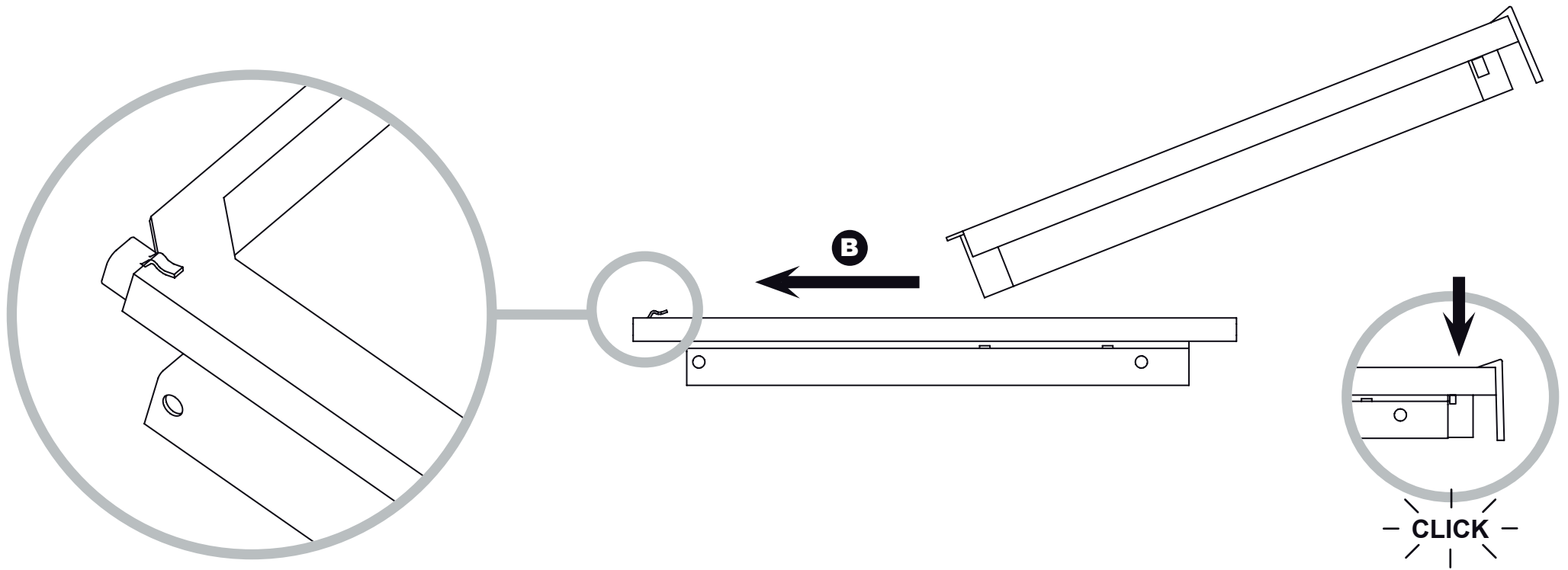
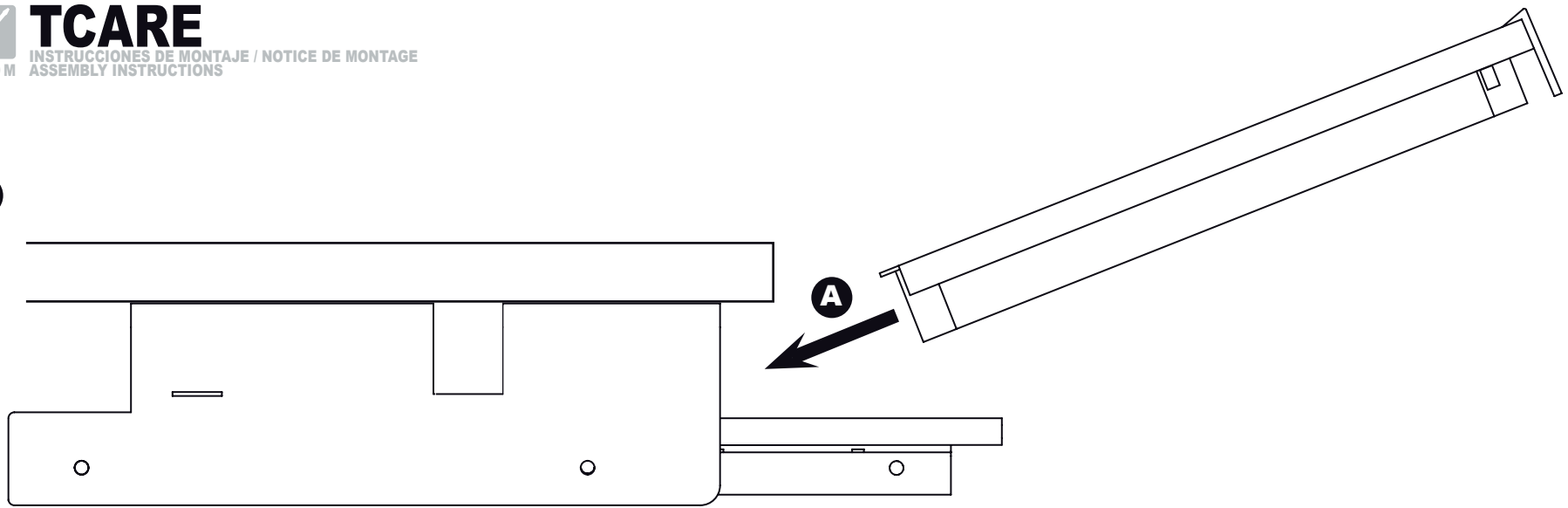
TCF-BPACK2



TCF-BPACK3



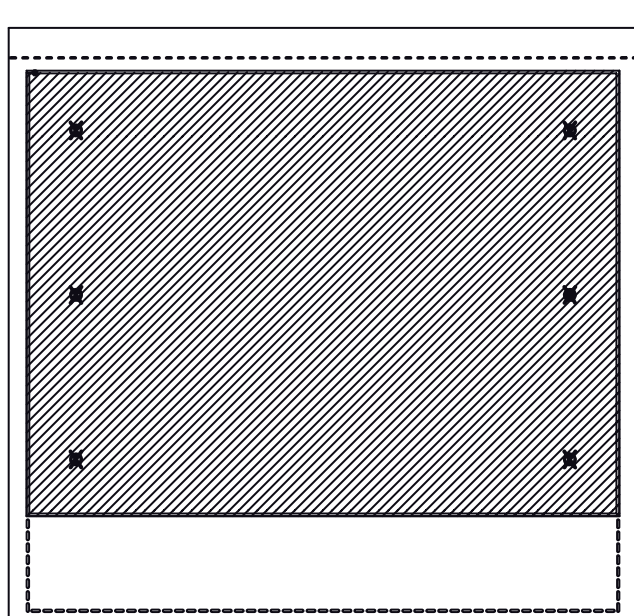
13



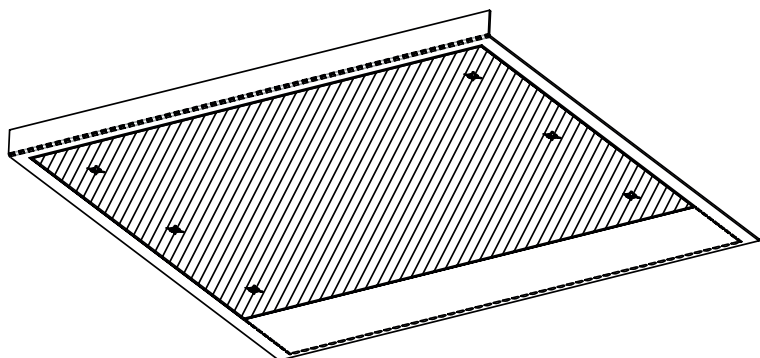


ADAPTA

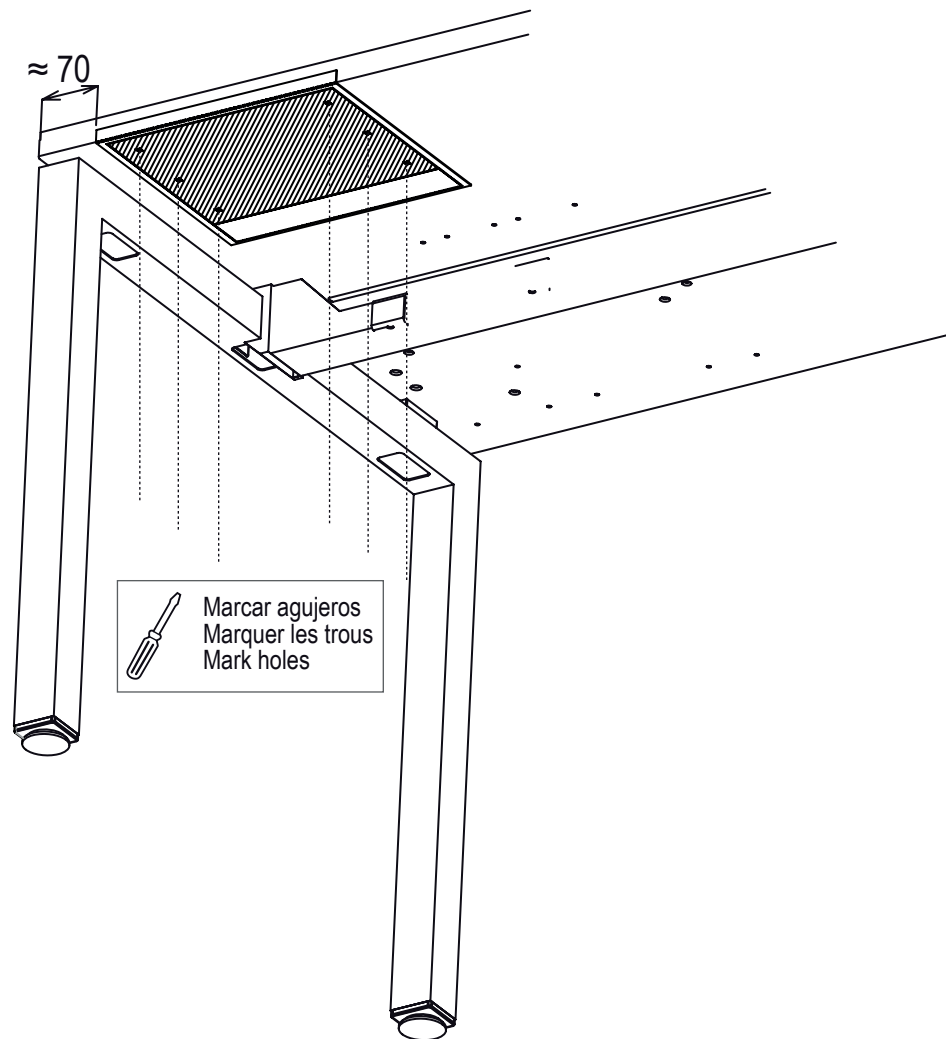
1



Doblar hacia arriba
Plier vers le haut
Bend upwards

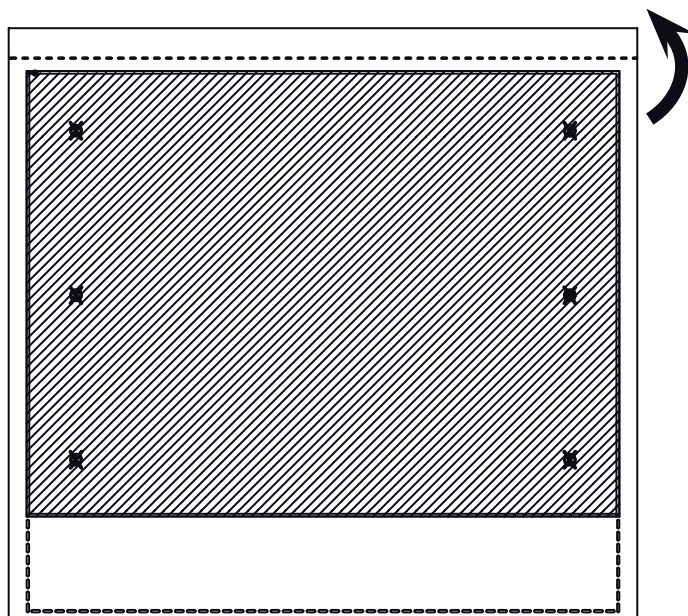


2

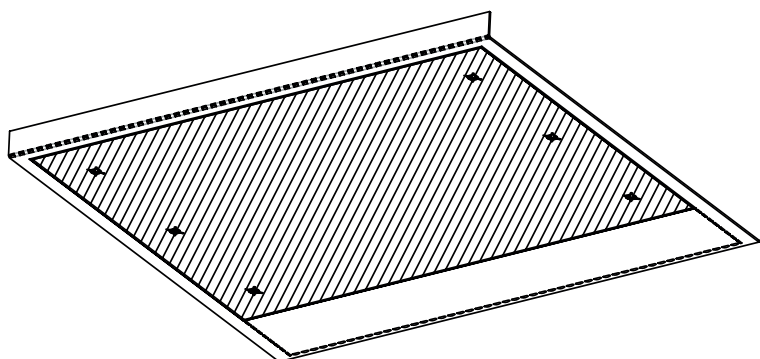


SINTRA 1

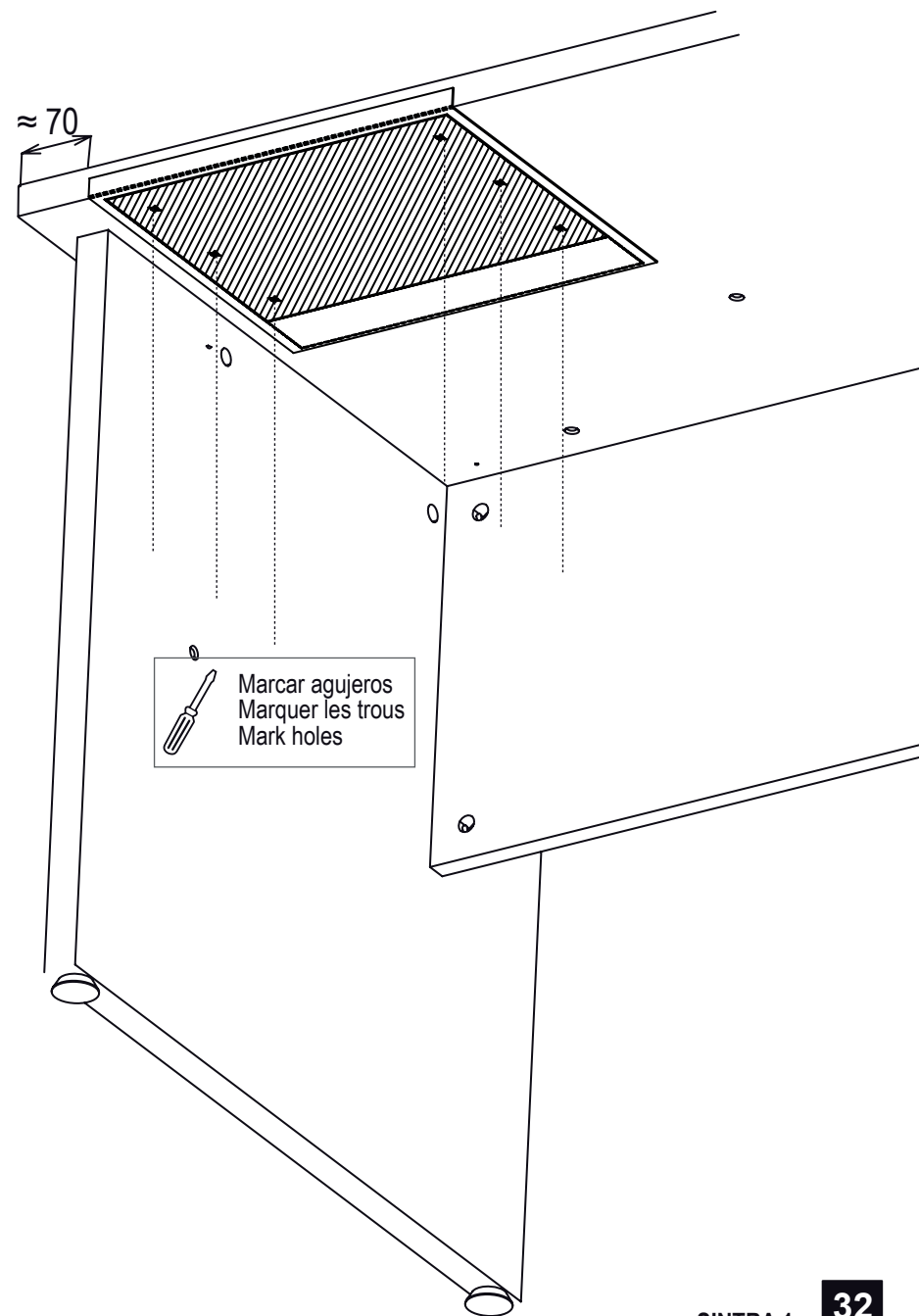
1



Doblar hacia arriba
Plier vers le haut
Bend upwards

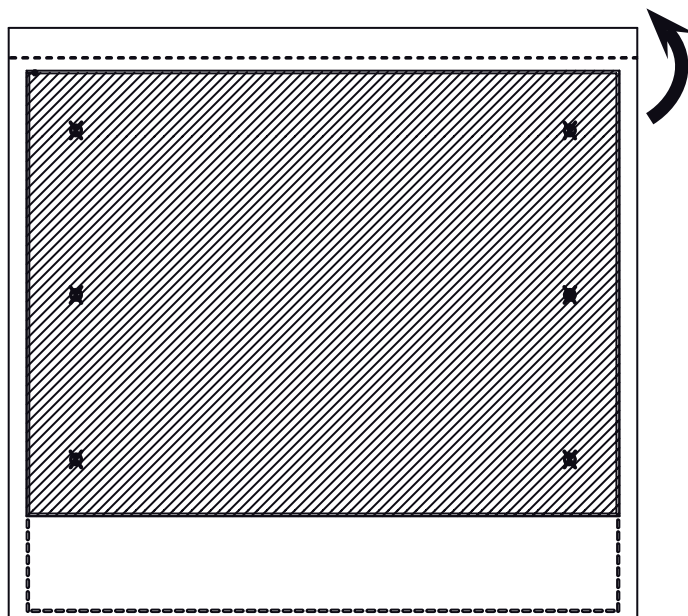


2

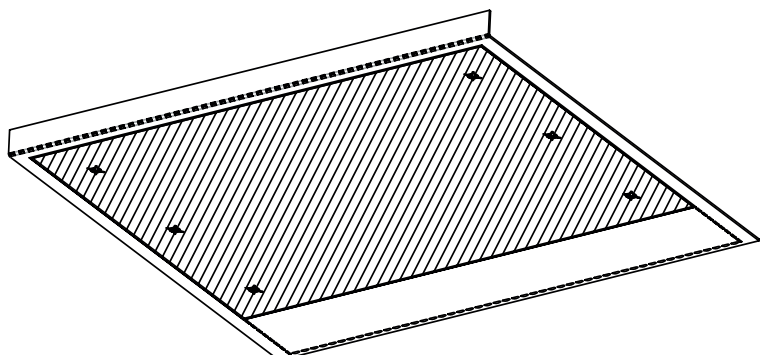


SINTRA 3

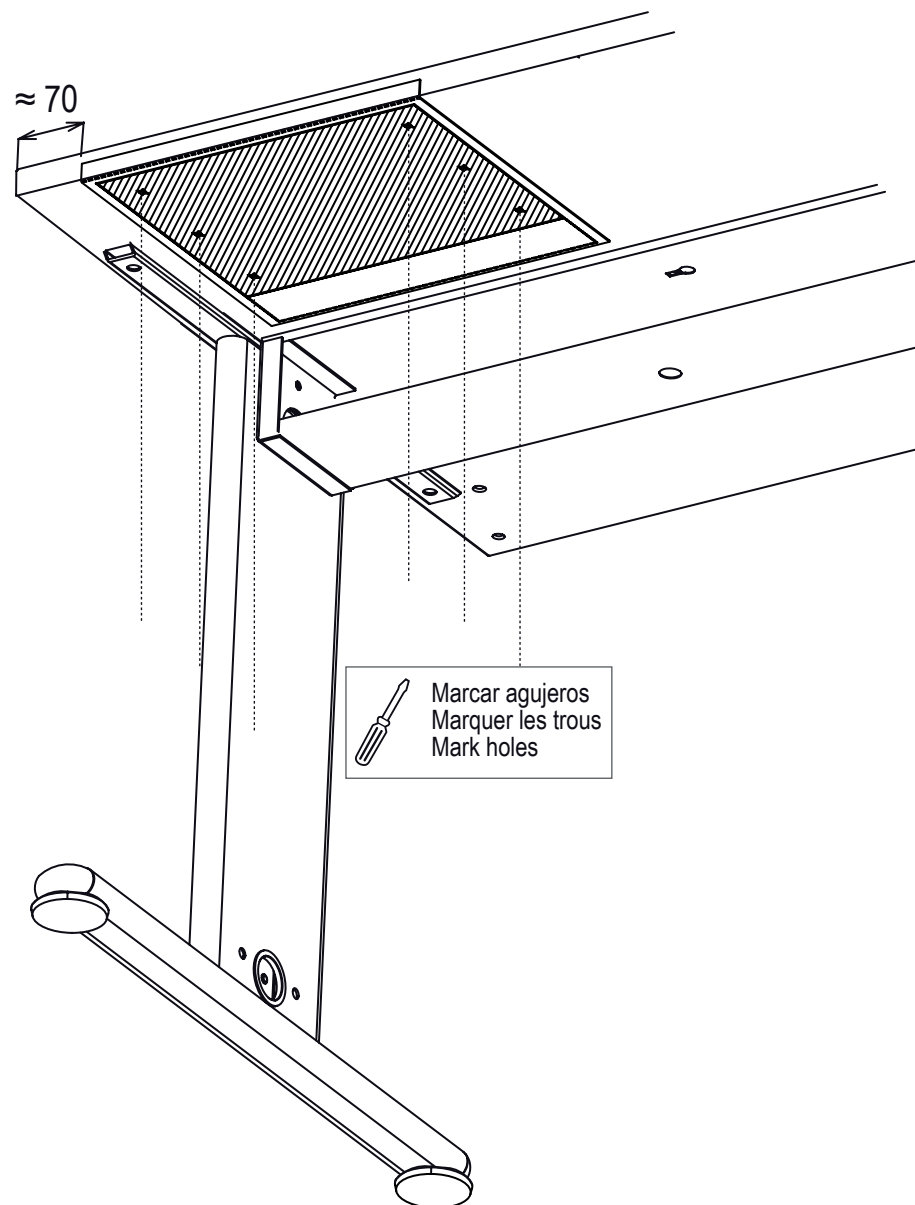
1



Doblar hacia arriba
Plier vers le haut
Bend upwards



2

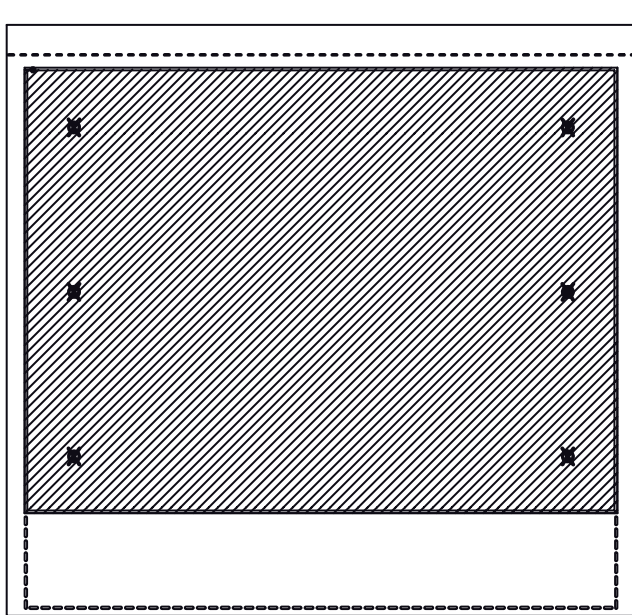


Marcar agujeros
Marquer les trous
Mark holes

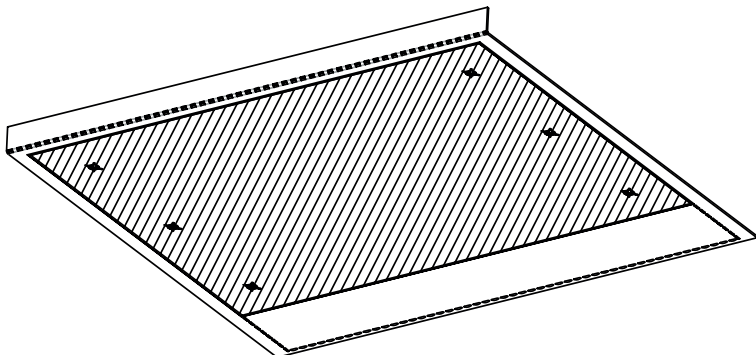


INSPIRA

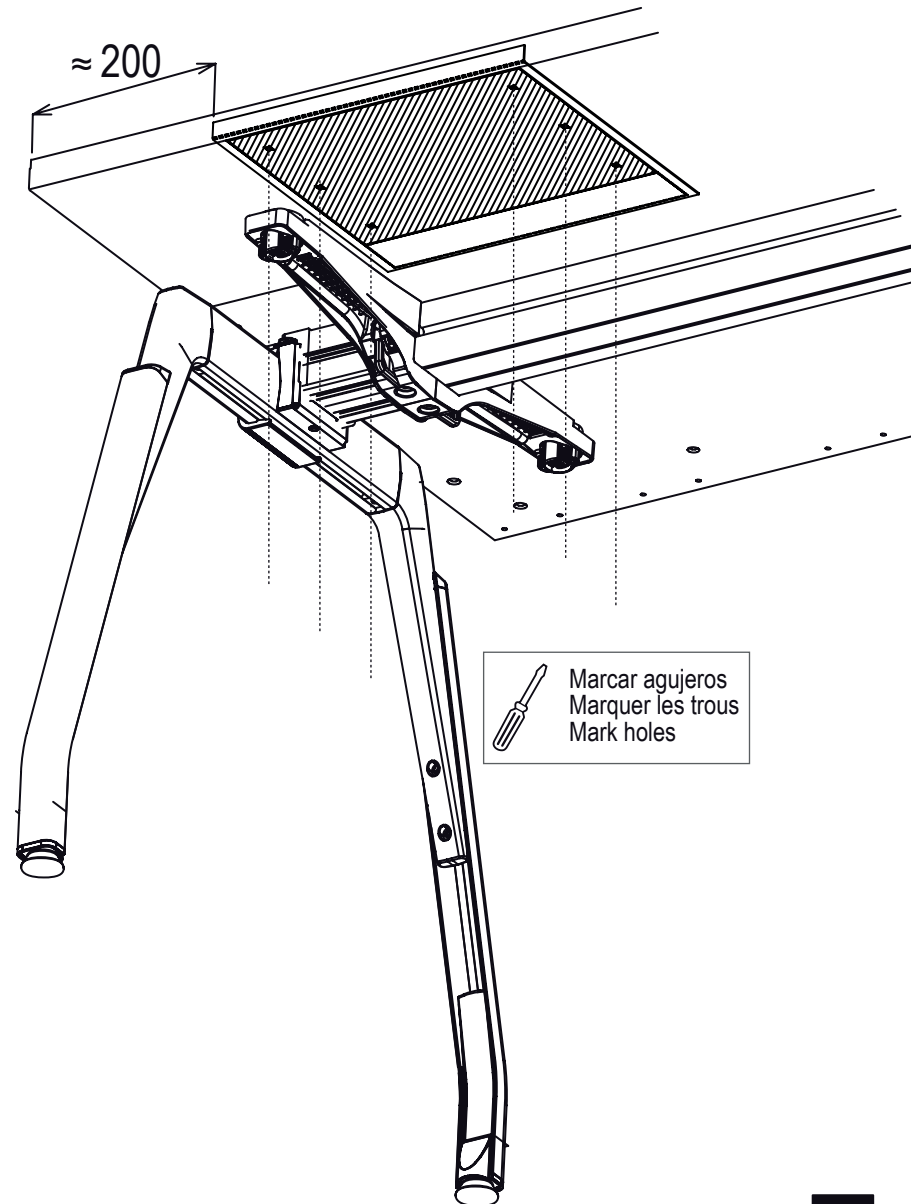
1



Doblar hacia arriba
Plier vers le haut
Bend upwards



2

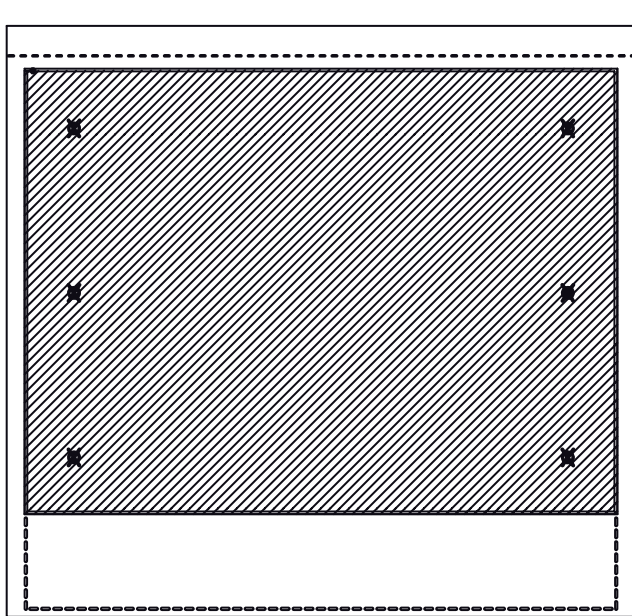


Marcar agujeros
Marquer les trous
Mark holes

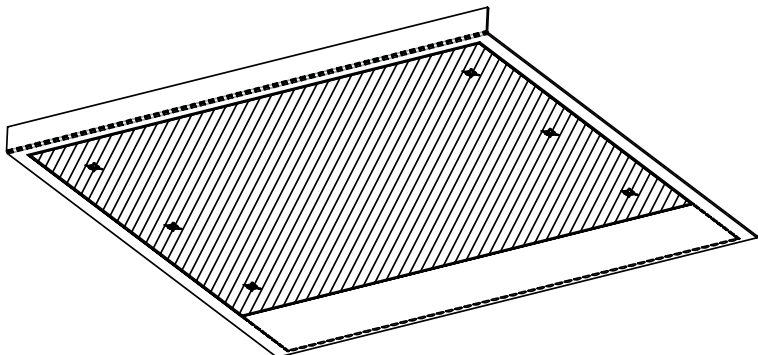


MODUL

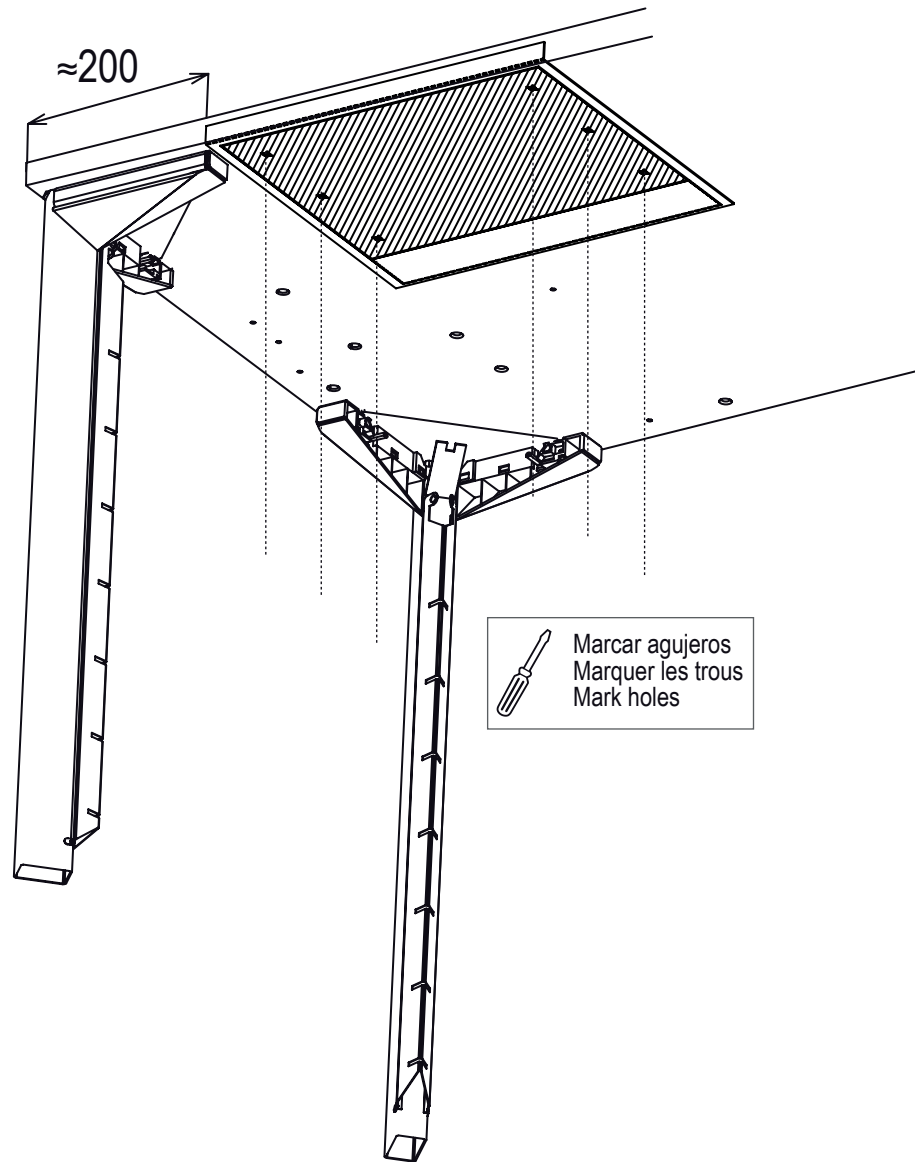
1



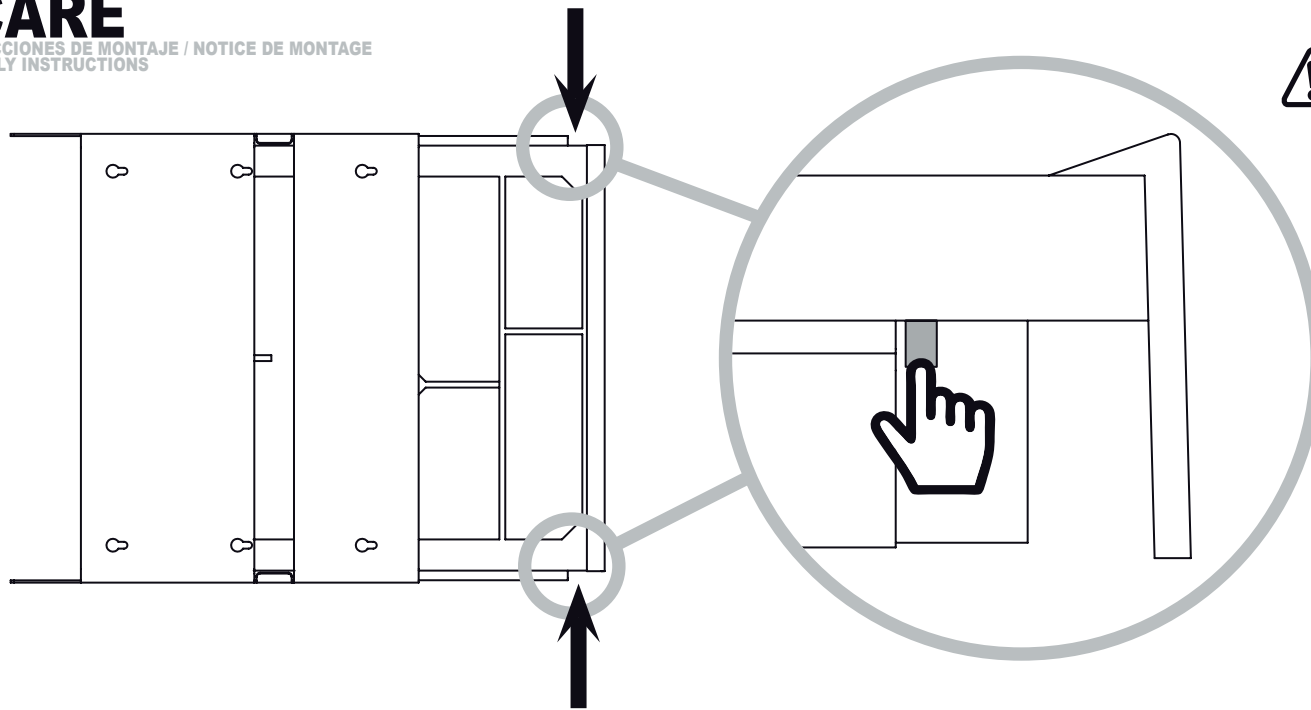
Doblar hacia arriba
Plier vers le haut
Bend upwards



2

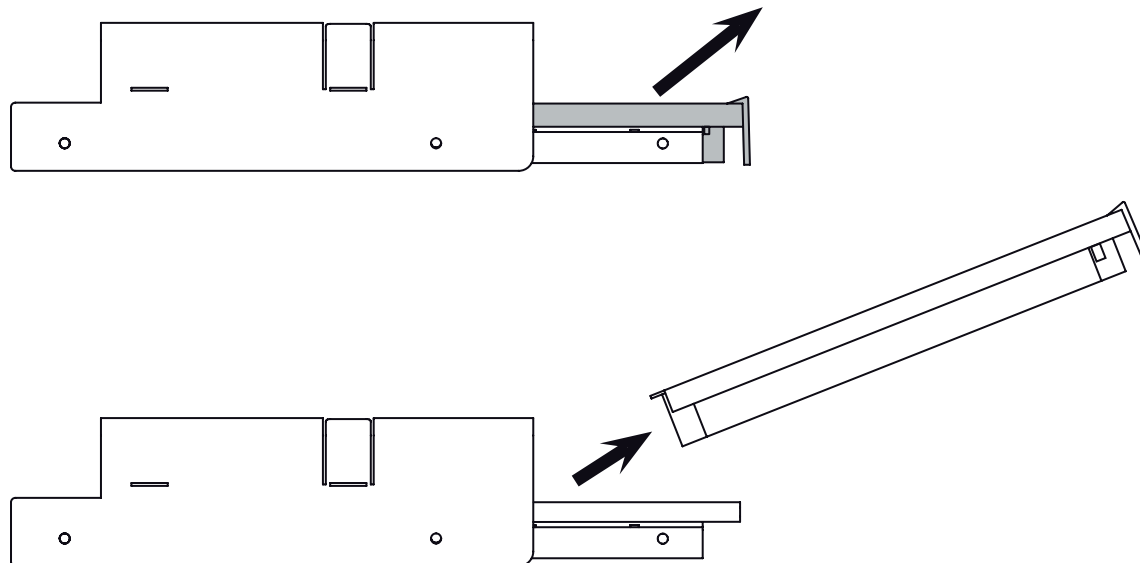


3



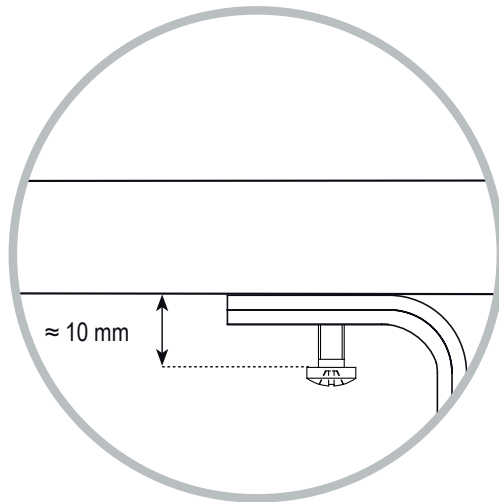
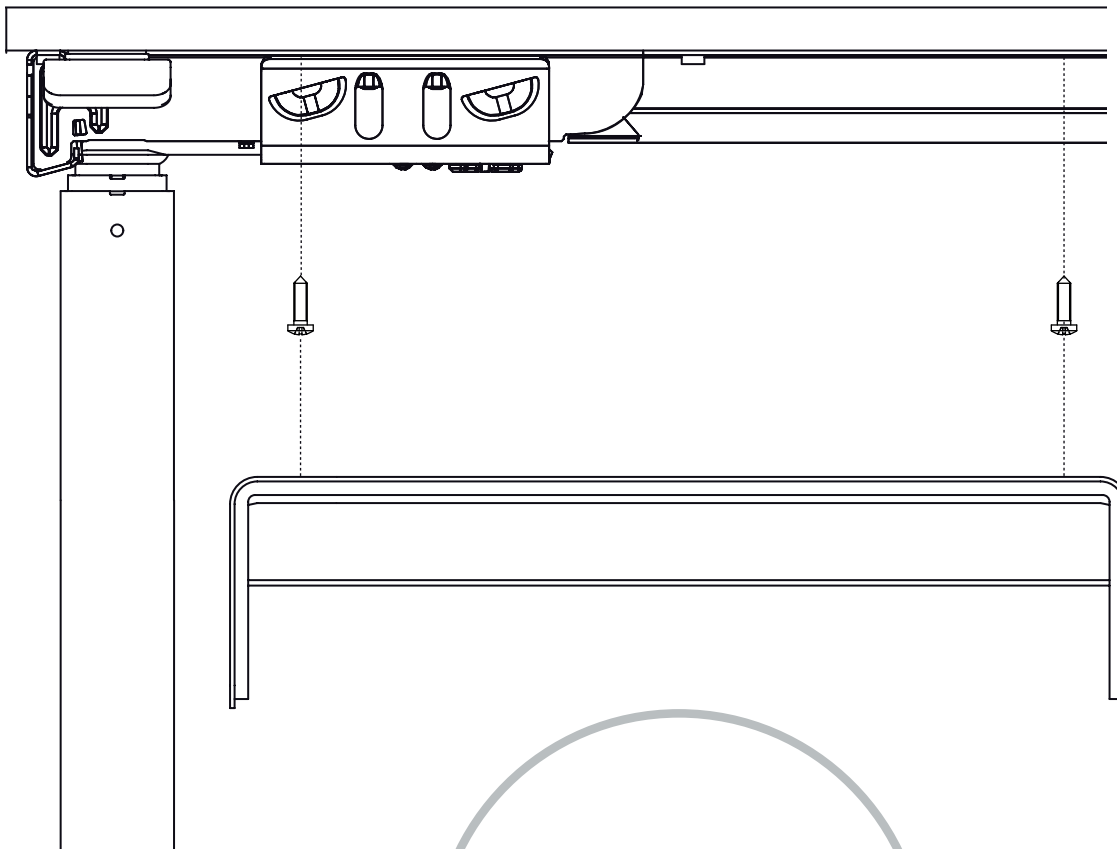
Presionar
Appuyer
Press

4

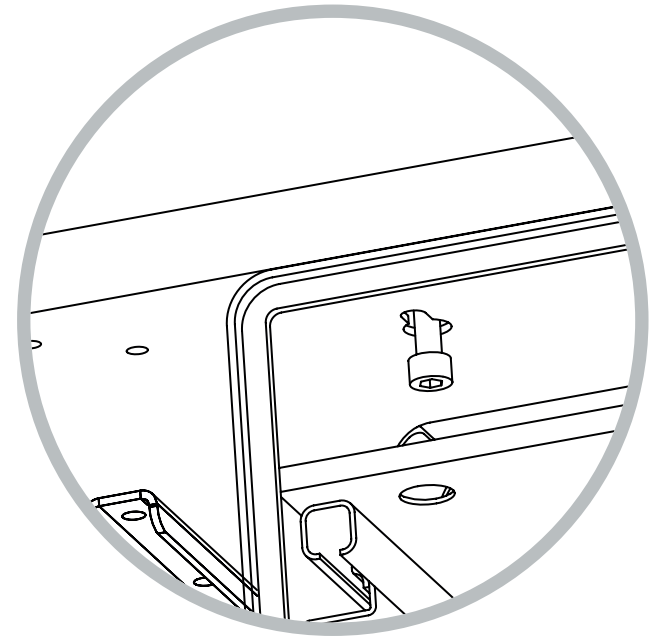


5

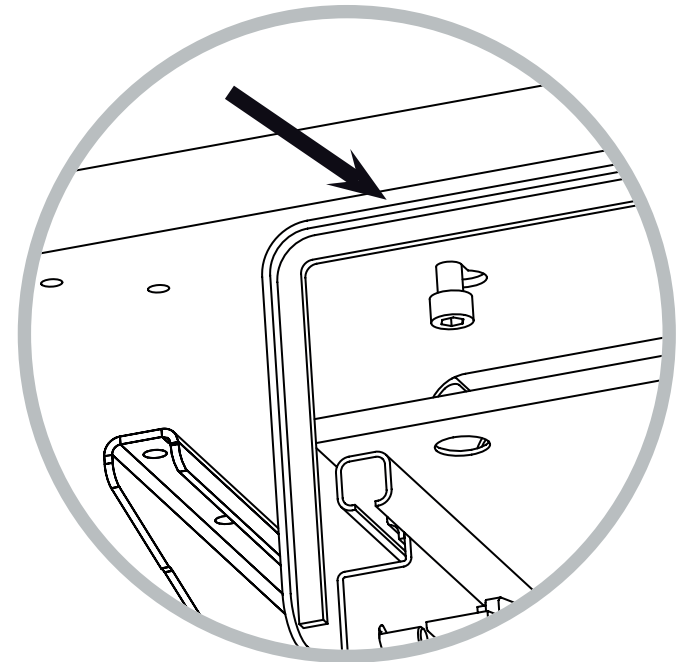
6x



6

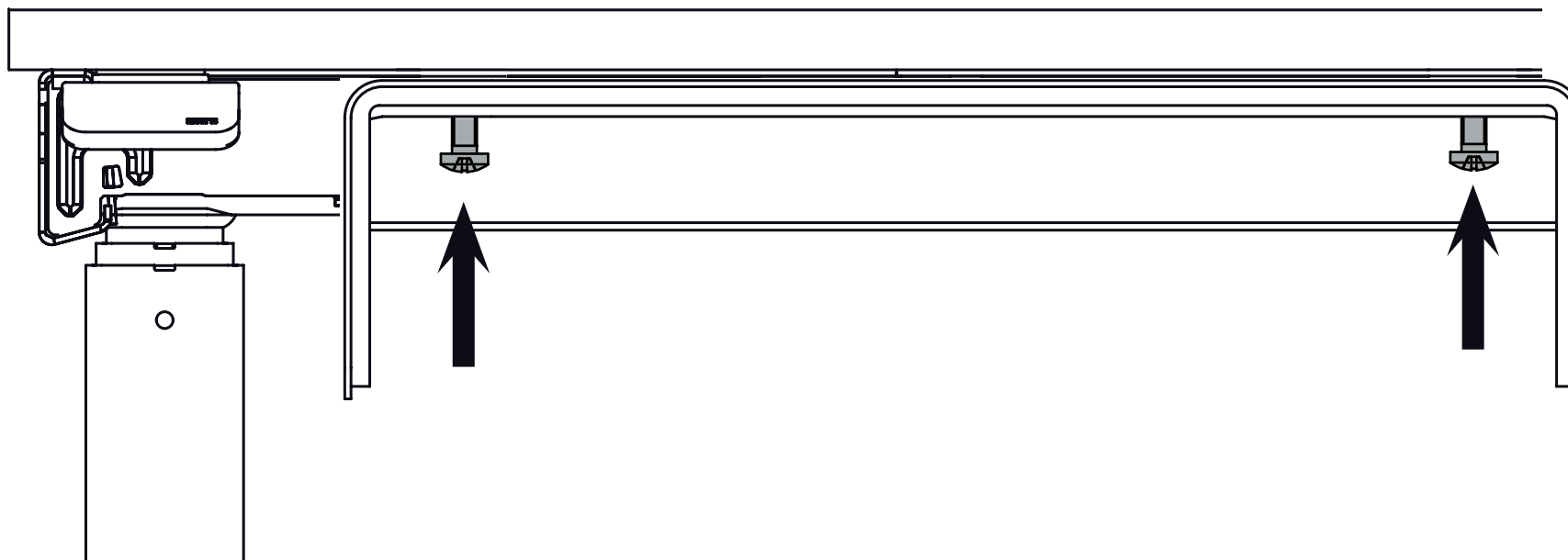


7

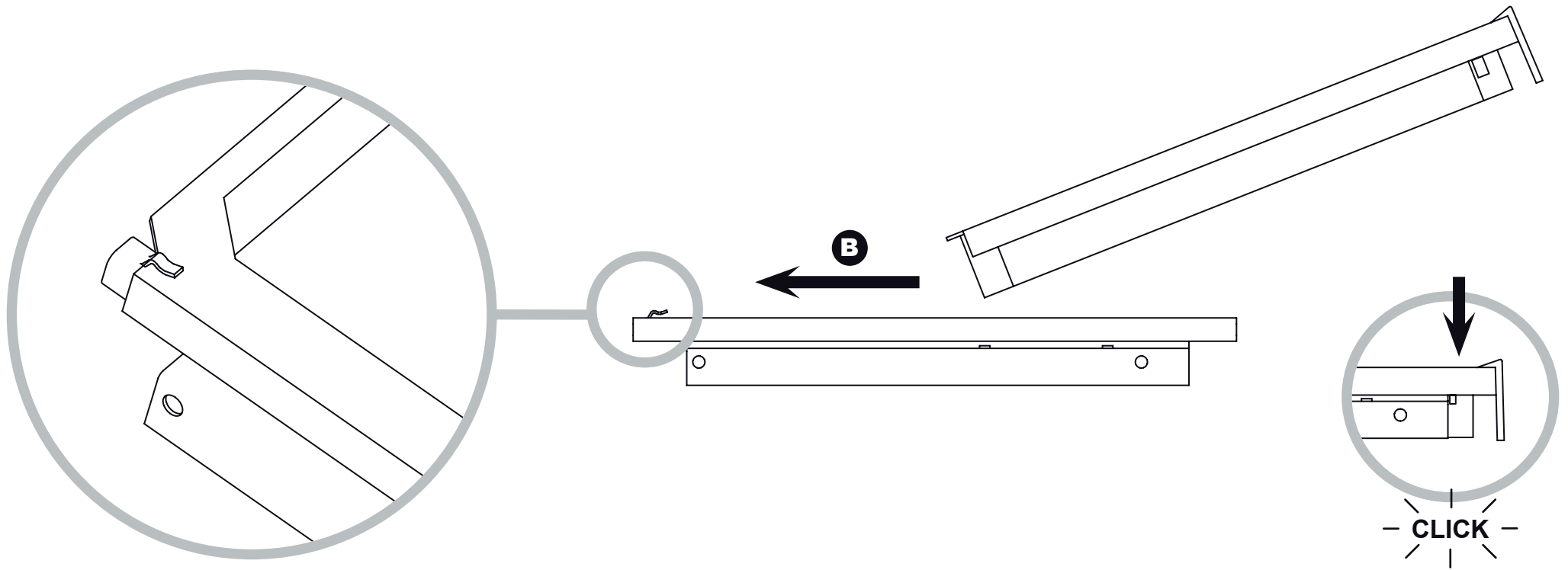
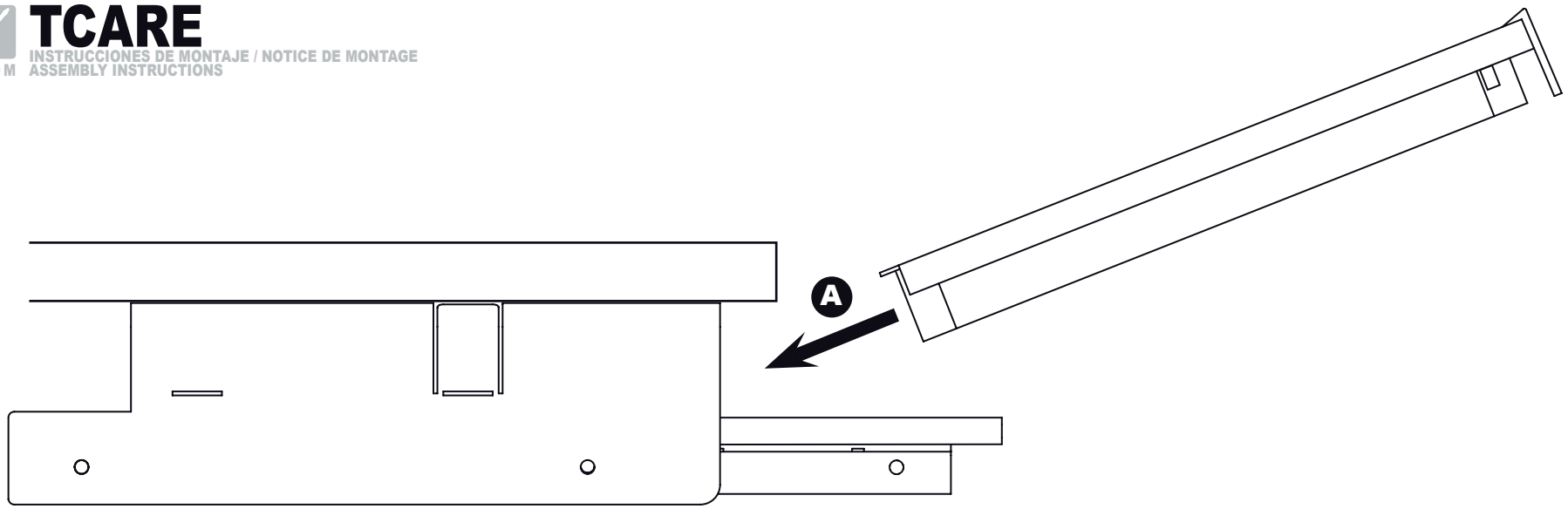


8

Apretar tornillos
Serrer les vis
Tighten screws



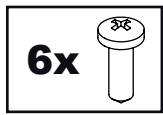
9



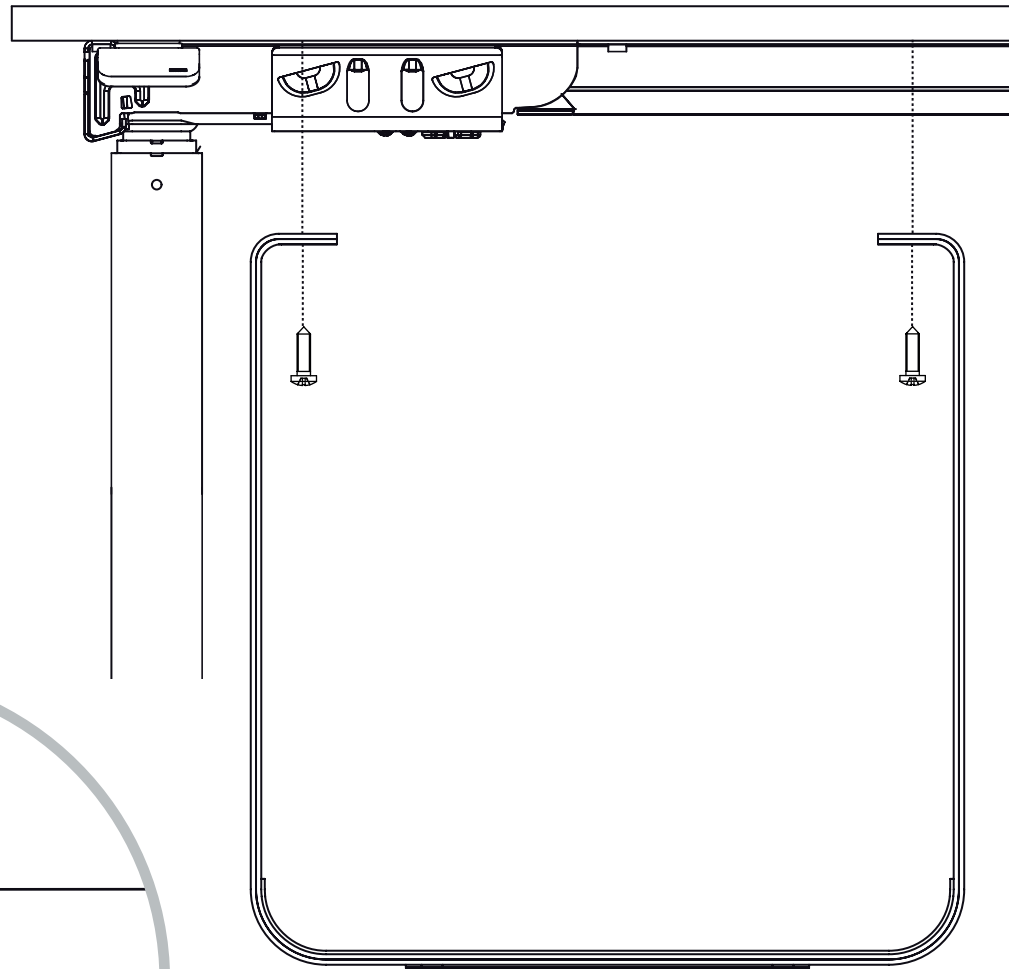
3



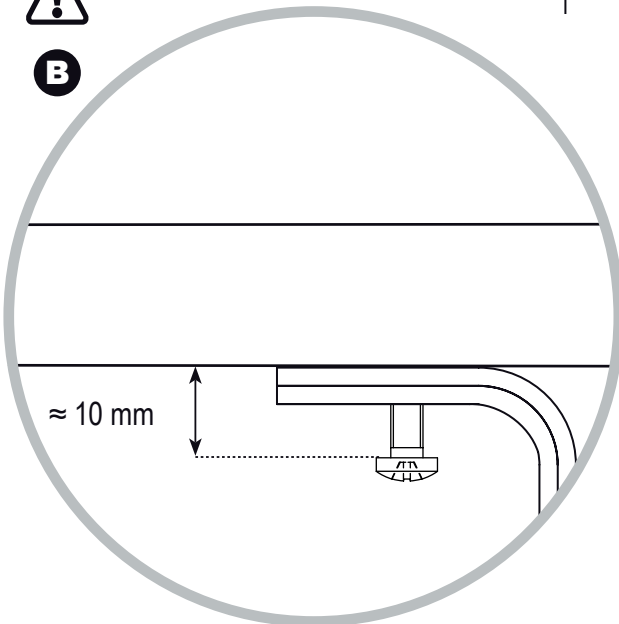
4



A

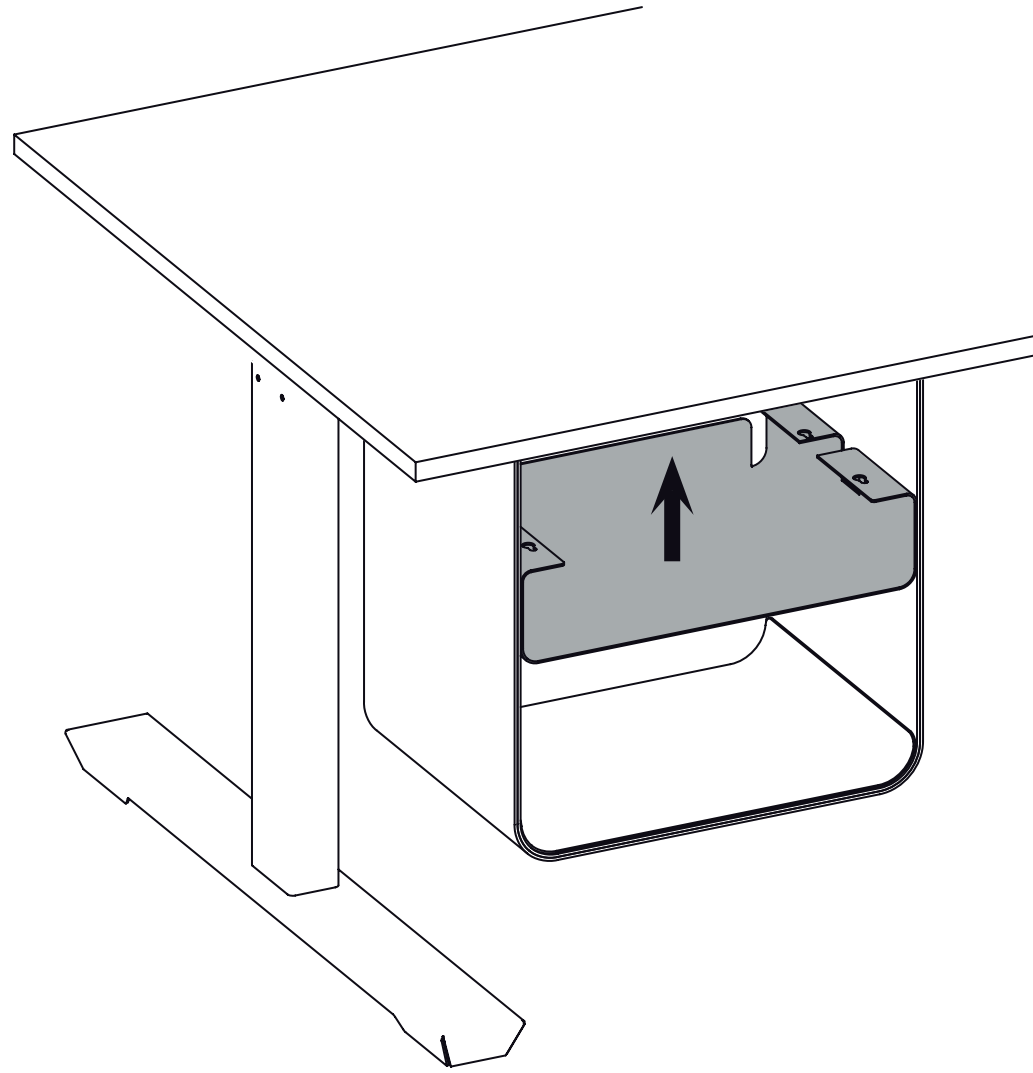
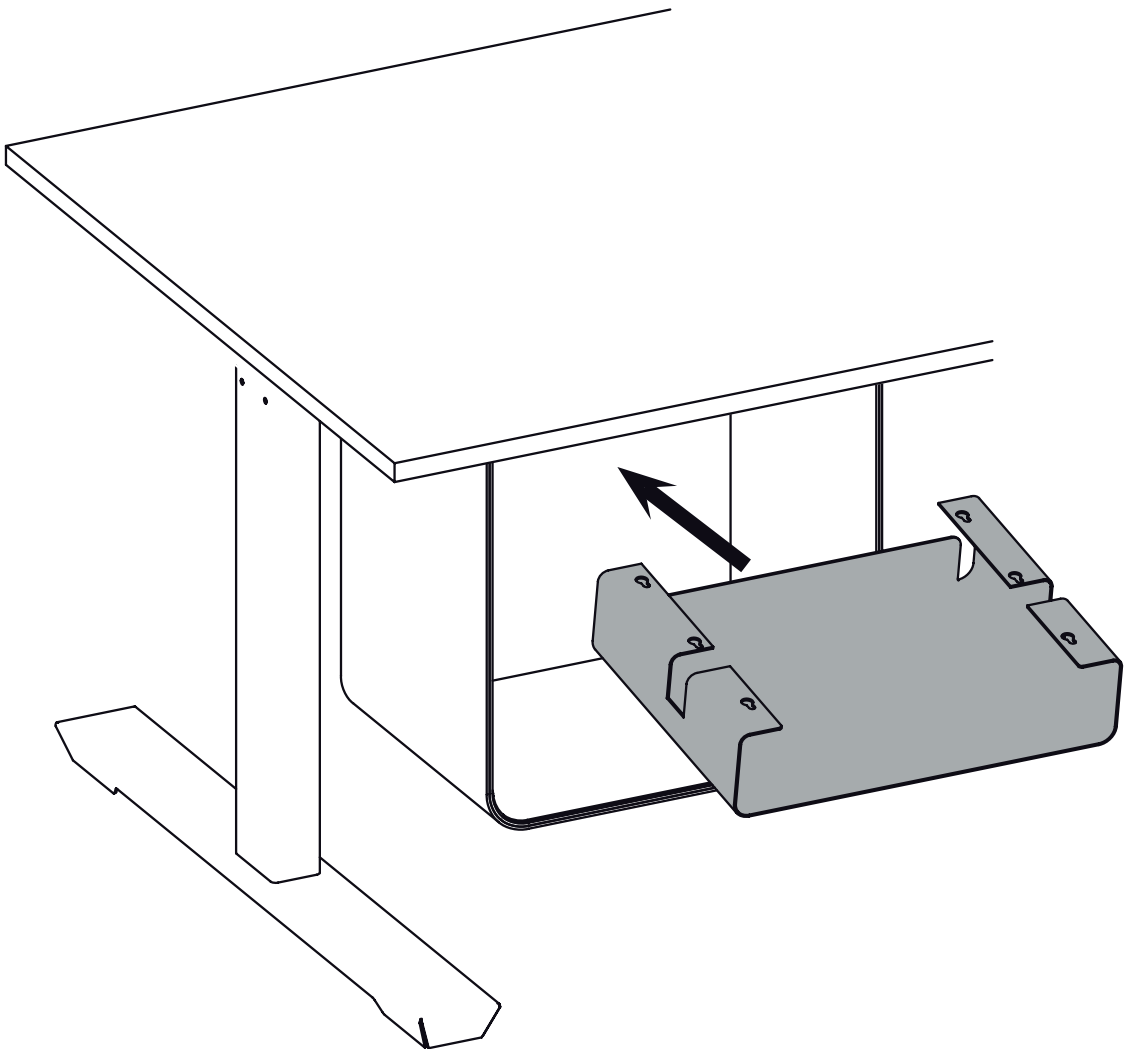


B

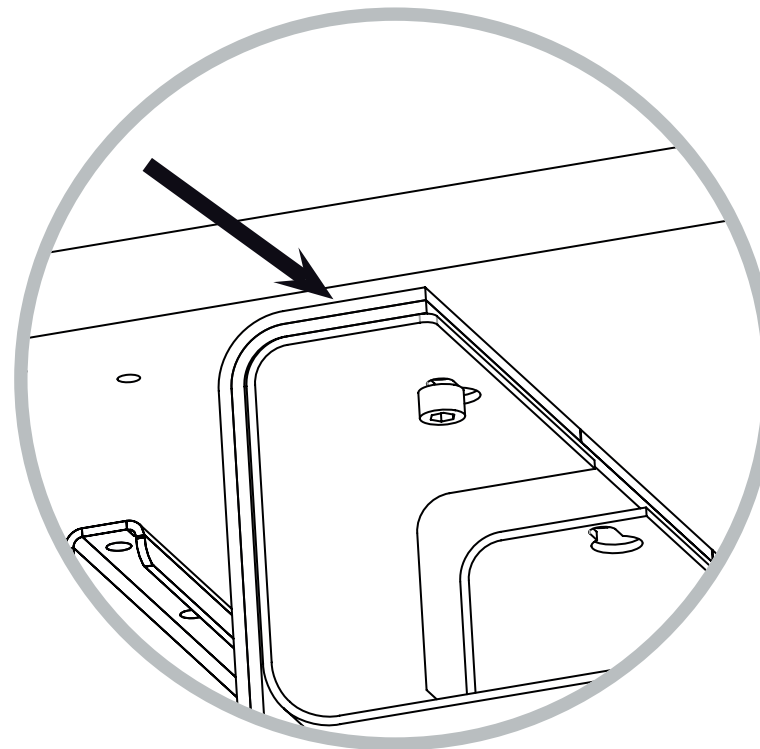
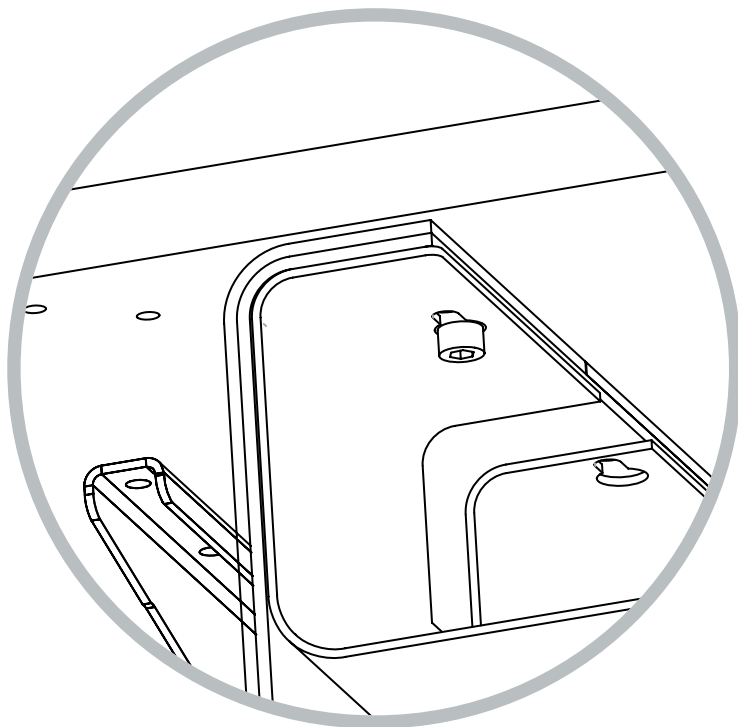


≈ 10 mm

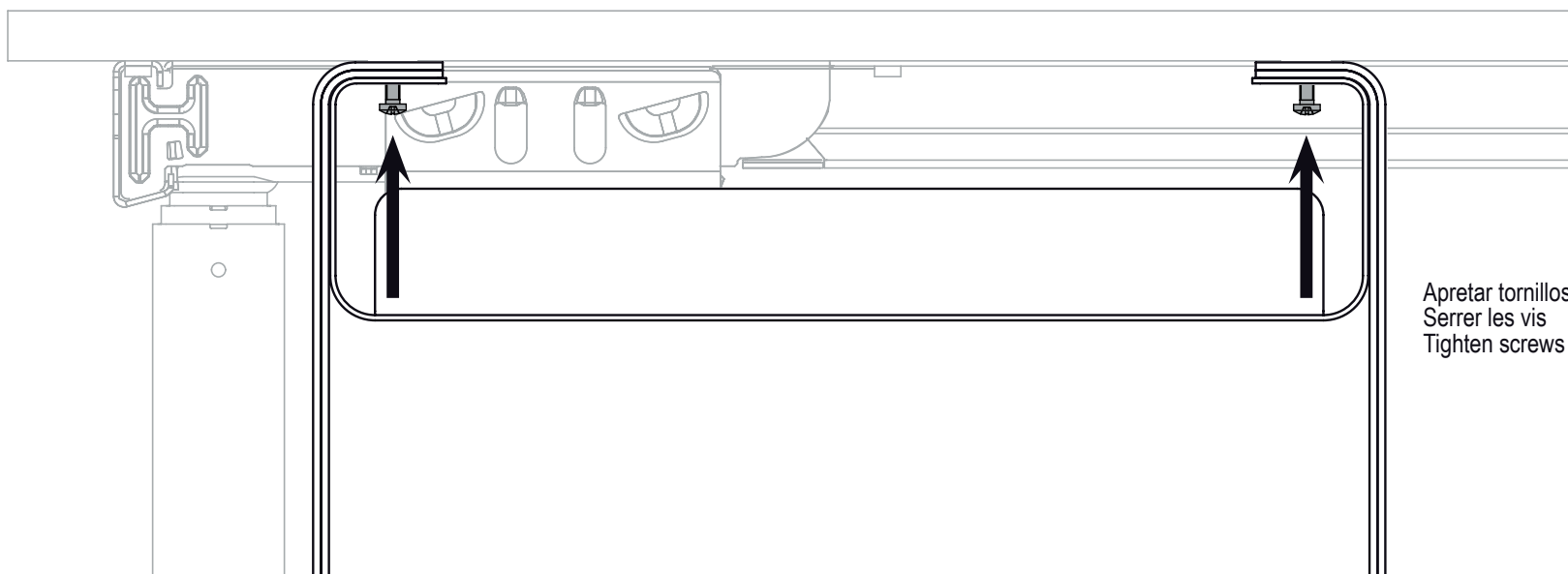
5



6

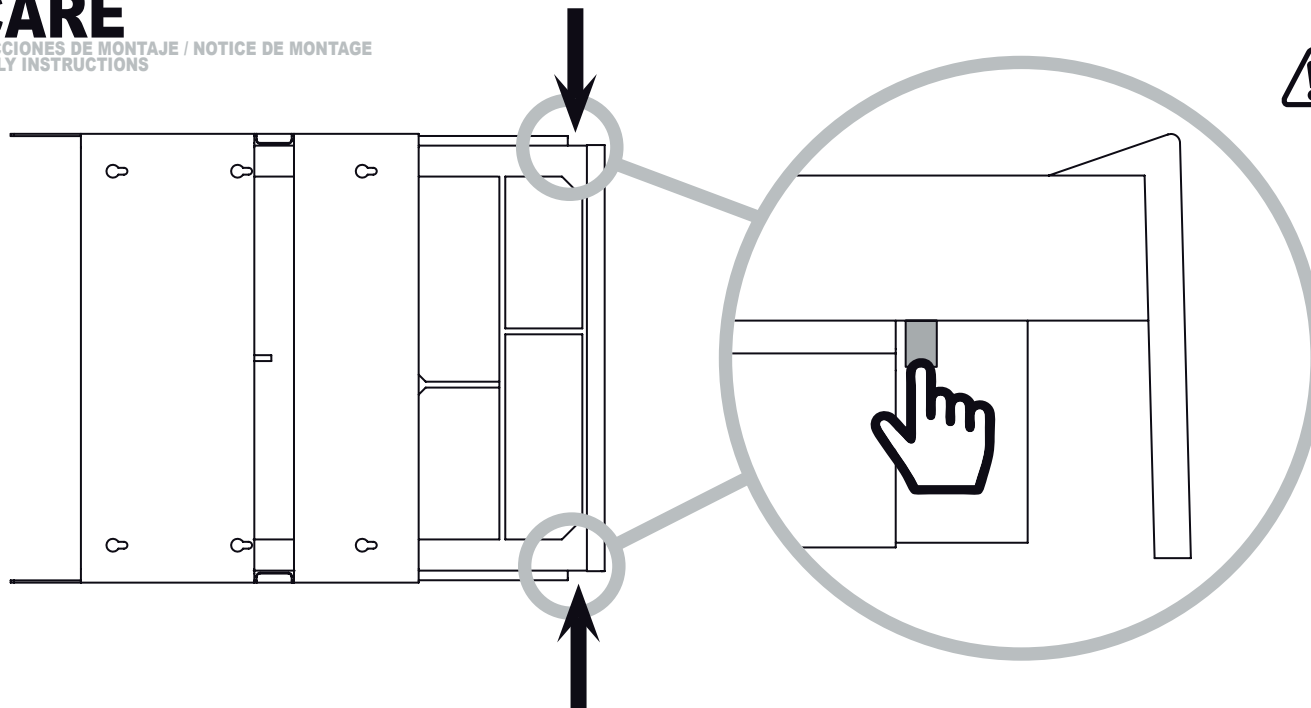


7

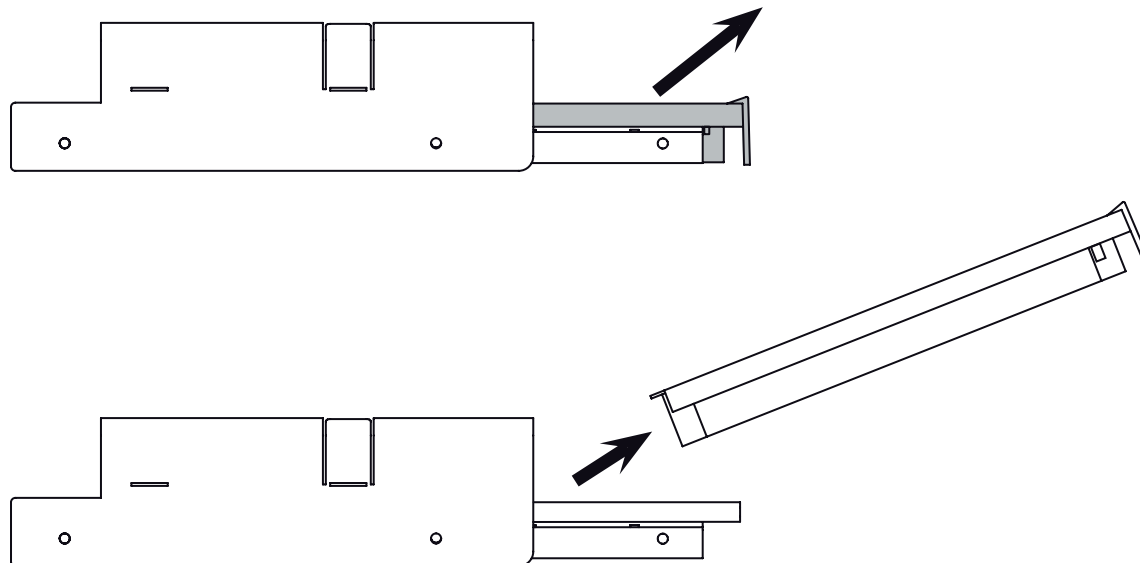


Apretar tornillos
Serrer les vis
Tighten screws

3



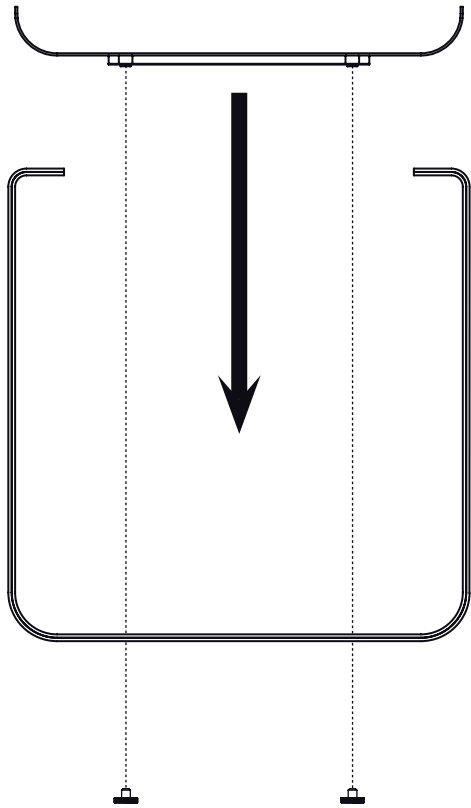
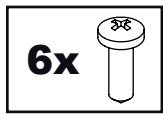
4



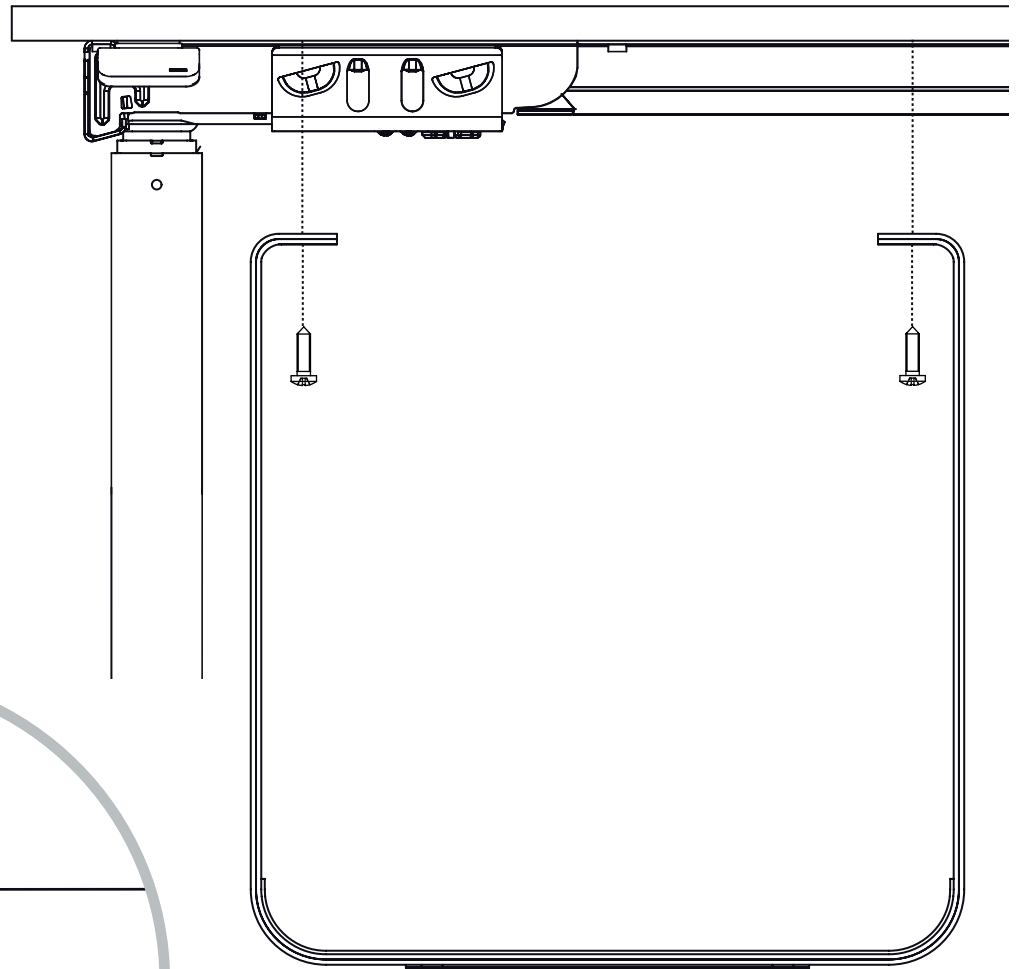
5



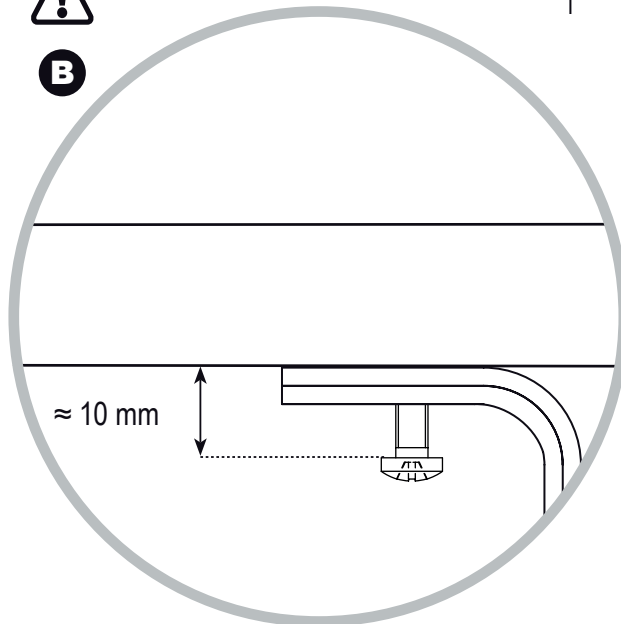
6



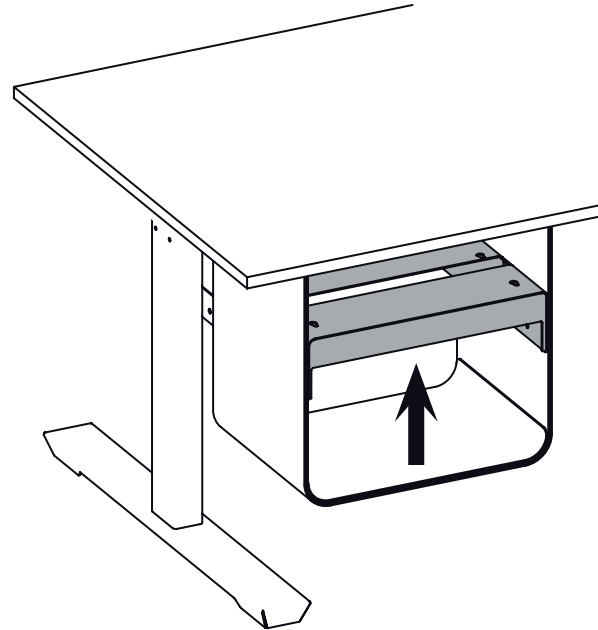
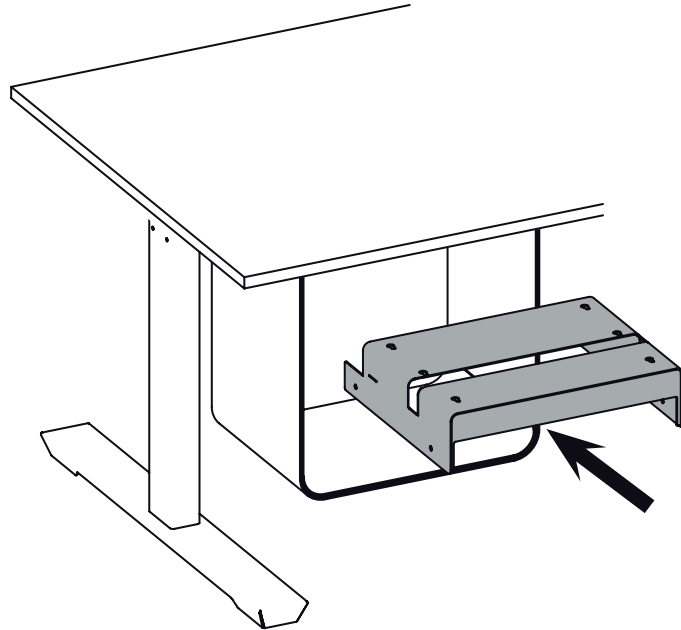
A



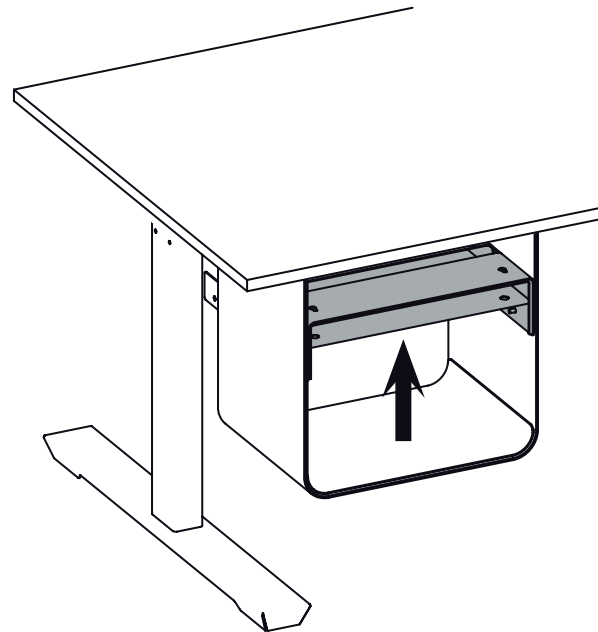
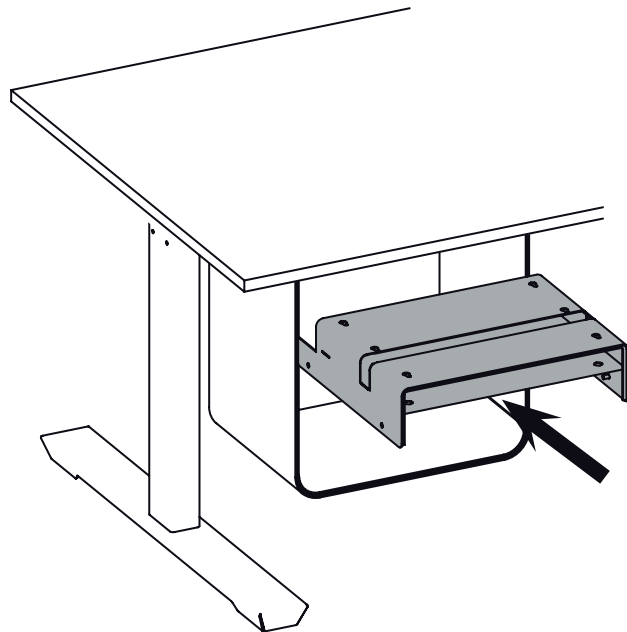
B



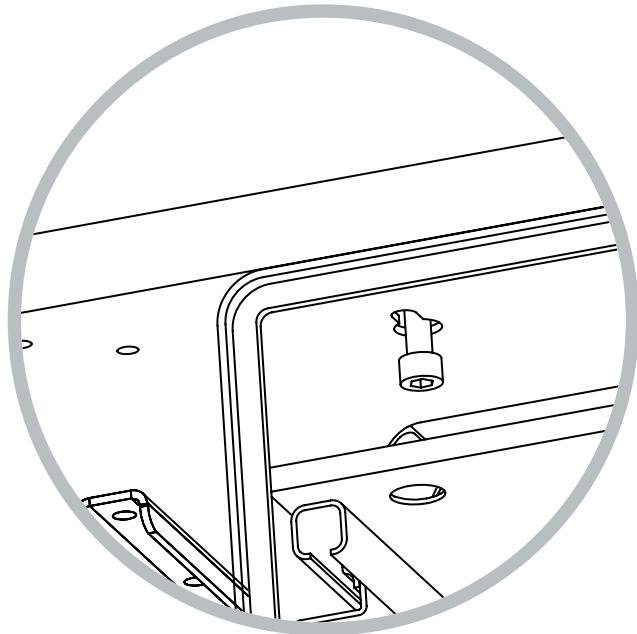
7 TCF-BPACK2



TCF-BPACK3

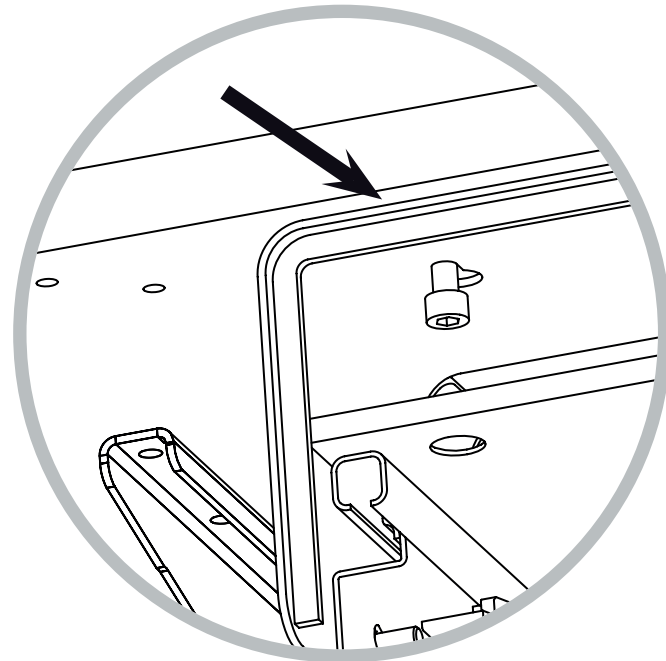


8

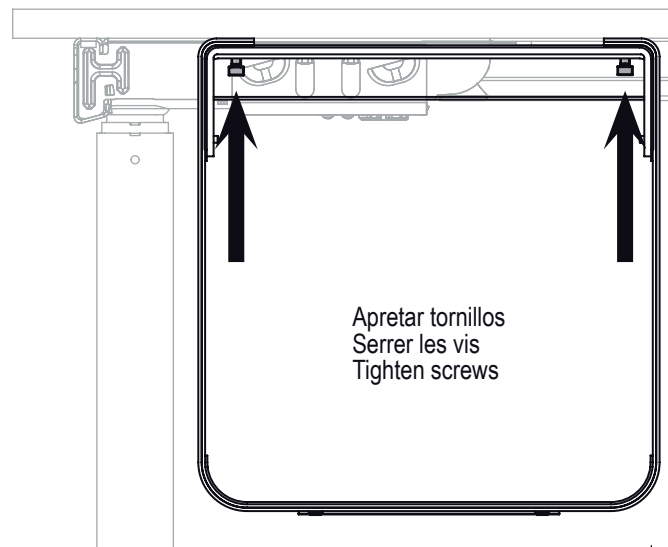
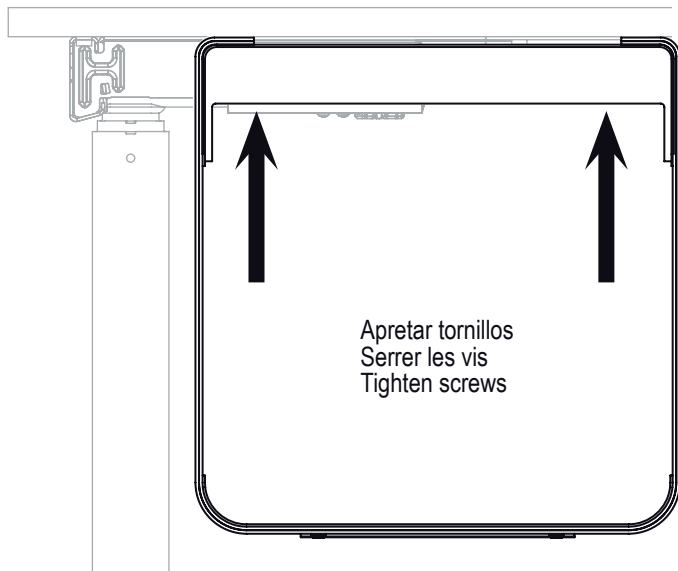


9

TCF-BPACK2



TCF-BPACK3



10

