



**JG** Open  
Systems



# Open Systems

Our services are based on systems that adapt to each project, with the capacity to understand and act in the market while contributing solutions and approach to designers, architects and project managers.



# Problem Solvers

---

Our call to solve each commission, making the product and the environment better, urges us to be aligned with the context of design, architecture and trends.



# Storage Louvers

We adapt our systems to each project's features and identity with a strong focus on workspace organization, under the **WOM®** philosophy.



# WOM®

## Well Organization Method

It is a new form developed by JG to interpret the organisation of the workspace by focusing on the person and their routines, with regard to the objects which they live with and the way to organise them.

## Near

### WOM®

takes all the objects at the office into account. It sorts them into different volumes, by type of use and proximity in relation to the user.

## Private



## Far

## Public

# Made in Barcelona

We are an office group, contract space furniture design, production, and commercialization centre, located in the Barcelona metropolitan area. We began operations in 1969.



# High internationalization: More than 50 countries in 5 continents

- Andorra
- Angola
- Australia
- Bahrein
- Belgique
- Cayman Islands
- Chile
- Colombia
- Cuba
- Cyprus
- Deutschland
- Dubai
- Egypt
- El Salvador
- France
- Ghana
- Greece
- Guernsey
- Guinea Ecuatorial
- Honduras
- Irán
- Iraq
- Ireland
- Italy
- Jordania
- Kuwait
- La Réunion
- Lebanon
- Luxembourg
- Mali
- Maroc
- Mauritanie
- México
- Monaco
- Netherland
- Nicaragua
- Nigeria
- Nothern Ireland
- Omán
- Panamá
- Portugal
- Qatar
- República Dominicana
- Russian
- Saudi Arabia
- Sénégal
- Spain
- Sudan
- Suisse
- Turkey
- United Arab Emirates
- United States of America
- United Kingdom

# Installations



King Fahad National Library  
Saudi Arabia



Fibrashop  
México



Zitro Games  
Spain



Congreso  
Santiago de Querétaro  
México



L'Oréal Manufacturing Plant  
France





## 60/40

60/40 is a front-office storage system with numerous individual and collective interior solutions that give a backbone to contemporary workspaces. It is a modular program that makes it possible to zone and create workspaces, providing connectivity, support areas, soft partitions, acoustic solutions, and wall linings.

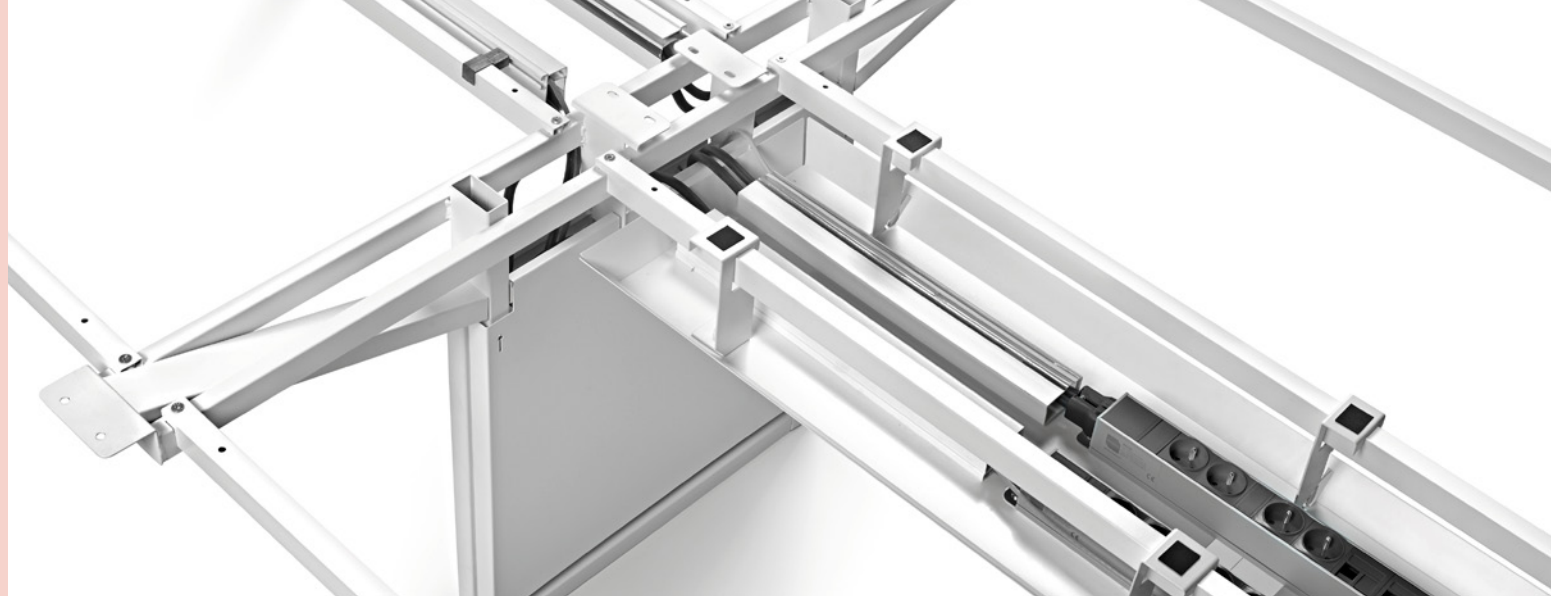
By Ovicuo Design Bcn



# Adapta Plus

Adapta Plus interprets and accommodates the cultural, social and economic changes that are reinventing the way we think and work in our society. New ways of working, thinking and cooperating by sharing knowledge among people from anywhere in the world through the inclusion of technology.

Adapta Plus is a benchmark programme, for influencers and distributors who want to fit out any workspace with a single brand that fully understands their needs.



# TCare

Height-adjustable table.  
TCare a tool that will enhance your performance and care for your health. It incorporates a new routine that will enable you to change your work without changing tables.



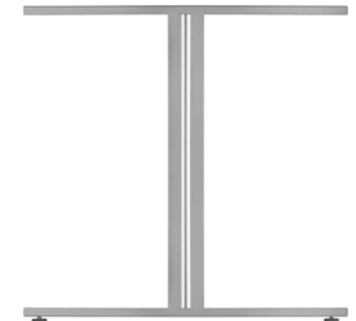
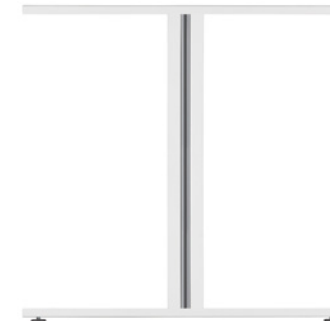


## TWork

TWork is the result of a reinterpretation of an office design classic “the T Leg or more precisely the inverted T Leg”. The goal of this reinterpretation is to adapt this “classic” to new office needs, without excluding the inherent beauty of its simplicity, symmetry, balance and purity of form.

TWork offers new personal filing solutions adapted to the workstation.

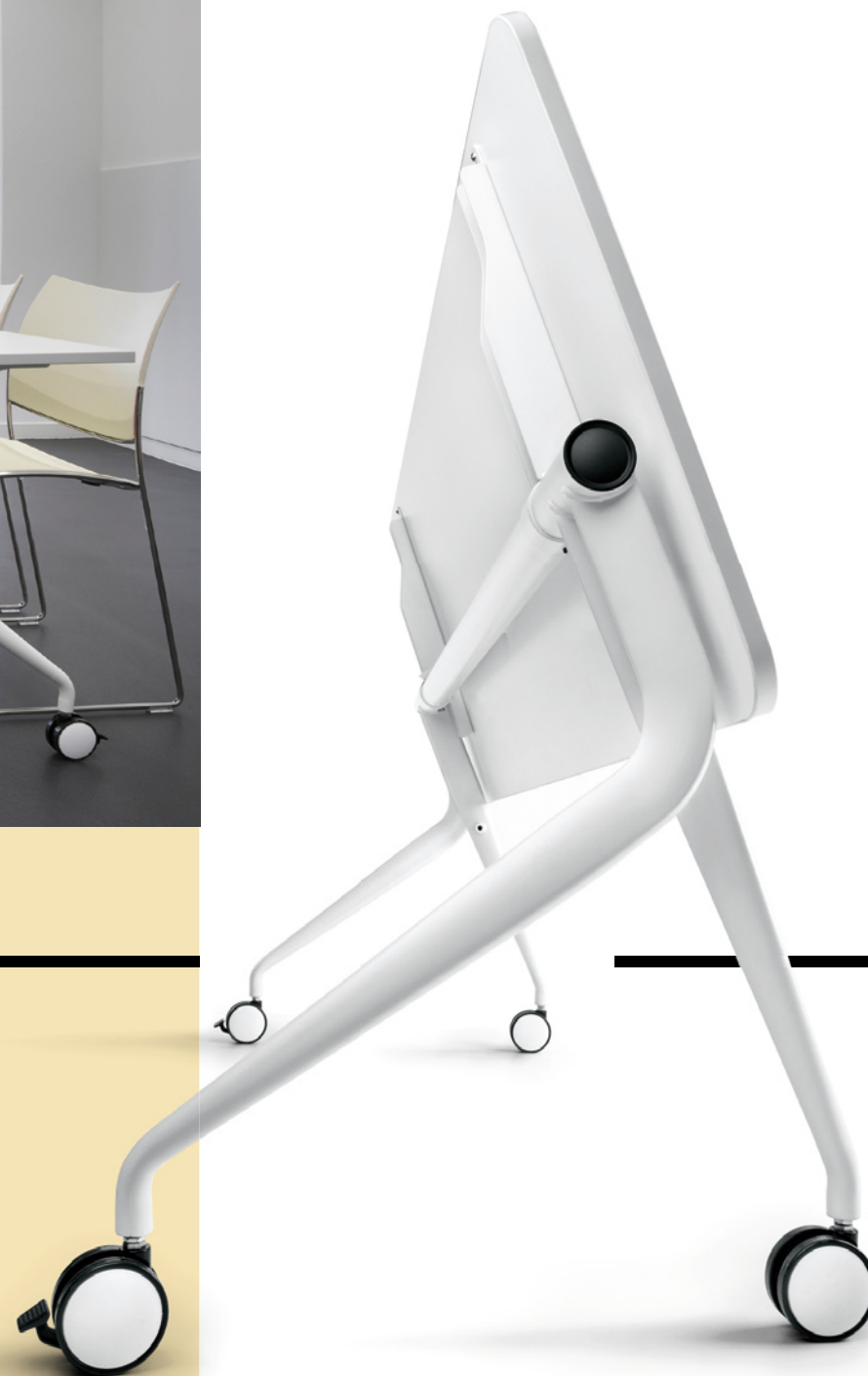
Techline incorporates a channel for voice and data inside for the optimal electrification of the workstation.





## 2Move

Flip table which joins the practicality of an auxiliary desk with an elegant aesthetic and innovative design, turning it into an element 100% useful.  
Flip, stackable and available in several sizes, shapes and colors.





**DME AWARD** DESIGN  
MANAGEMENT  
EUROPE

# Inspira

Inspiring new business.

A series of pure and elegant lines, made of noble materials, modern, timeless, robust and light at the same time.

Ergonomic, electric and height-adjustable.



**JG** Open  
Systems

# Environmentally awareness

We are committed to the environment and wellbeing of people. We comply with quality certification requirements, eco-design regulations, and sustainability policies.



See  
you soon!

[jggroup.com](http://jggroup.com)